

COMMONWEALTH OF AUSTRALIA  
POSTMASTER-GENERAL'S DEPARTMENT

---

INSTALLATION CIRCULAR No. 10

---

# Intercommunication Telephones —Types A5 & A10

---

SECTION 6  
Distribution List "H" (Modified)—Serial No. 25

---

## DRAWINGS

(The Text is issued separately under Sections 1 to 5.)

Chief Engineer's Branch,  
Postmaster-General's Department,  
Treasury Gardens,  
Melbourne. C.2

*Approved—*

**R. LAWSON,**  
Chief Engineer,  
9.9.1937

COMMONWEALTH OF AUSTRALIA.

POSTMASTER-GENERAL'S DEPARTMENT.

INSTALLATION CIRCULAR NO. 10.

INTERCOMMUNICATION TELEPHONES - TYPES A5 & A10.

SECTION 6.

DISTRIBUTION LIST "H" (MODIFIED) - SERIAL No. 25.

D R A W I N G S.

(The Text is issued separately under Sections 1 to 5)

---

Chief Engineer's Branch,  
Postmaster-General's Department,  
Treasury Gardens,  
MELBOURNE. C.2.

APPROVED

*L. Lawson*  
Chief Engineer.  
9/9/1937.

C O N T E N T S .

Drawing No.	Title.
INTERCOMMUNICATION TELEPHONE SYSTEMS.	
C.1235, Sheet 1.	Units, Transfer Nos. 1 and 1A. Details of Labels.
C.1235, Sheet 2.	Units, Transfer Nos. 2 and 3. Details of Labels.
C.1236, Sheet 1.	Typical Layouts.
C.1236, Sheet 2.	Typical Layouts.
C.1237.	Alternative Arrangement of Junction Boxes.
C.1238.	Plug Point Connections on Instruments and Units.
C.1239, Sheet 1.	Typical Junction Box Wiring for Extensions for Installations with one Exchange Line and up to 6 Extensions.
C.1239, Sheet 2.	Typical Junction Box Wiring for 3 Terminal Stations for Installations with 1 Exchange Line and up to 6 Extensions.
C.1239, Sheet 3.	Typical Junction Box Wiring for 1st Choice Main Station for Installations with 1 Exchange Line and up to 6 Extensions.
C.1240, Sheet 1.	Typical Junction Box Wiring for Extensions for Installations with 2 Exchange Lines and up to 11 Extensions.
C.1240, Sheet 2.	Typical Junction Box Wiring for Terminal Stations on Installations with 2 Exchange Lines and up to 11 Extensions.
C.1240, Sheet 3.	Typical Junction Box Wiring for 1st Choice Main Stations for Installations with 2 Exchange Lines and up to 11 Extensions.
C.1240, Sheet 4.	Typical Auxiliary Junction Box Wiring for Installations with 2 Exchange Lines and up to 11 Extensions.
C.1241, Sheet 1.	Plug and Jack Wiring for Telephone Intercom. No. 1.
C.1241, Sheet 2.	Plug and Jack Wiring for Unit, Transfer No. 1 or No. 1A used as a First Choice Main Station.
C.1241, Sheet 3.	Plug and Jack Wiring for Unit, Transfer No. 1 Used as a Second Choice Main Station.
C.1242, Sheet 1.	Plug and Jack Wiring Telephone Intercom., No. 2.
C.1242, Sheet 2.	Plug and Jack Wiring Unit, Transfer No. 2 Used as 1st Choice Main Station.
C.1242, Sheet 3.	Plug and Jack Wiring Unit, Transfer, Intercom., No. 3.
C.1242, Sheet 4.	Plug and Jack Wiring Unit, Transfer, No. 2, Used as 2nd Choice Main Station.
C.1243, Sheet 1.	Telephone, Intercom., No. 1. Schematic Circuit.
C.1243, Sheet 2.	Unit, Transfer No. 1. Schematic Circuit.
C.1243, Sheet 3.	Unit, Transfer No. 1A. Schematic Circuit.
C.1244, Sheet 1.	Telephone, Intercom. No. 2. Schematic Circuit.
C.1244, Sheet 2.	Unit, Transfer No. 2. Schematic Circuit.
C.1244, Sheet 3.	Unit, Transfer No. 3. Schematic Circuit.

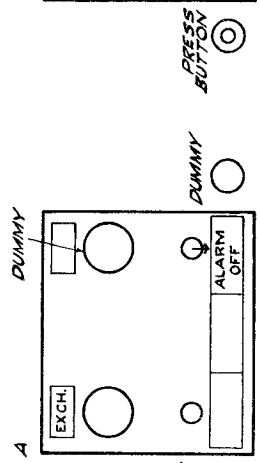
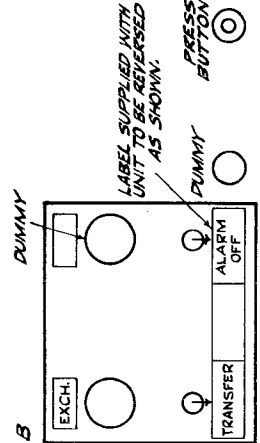
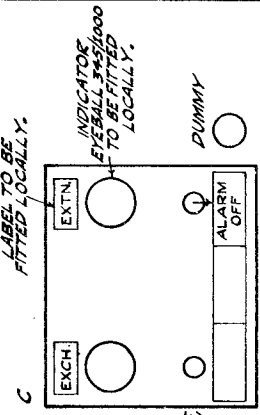
(111)

I. C. 10.  
AMENDMENTS.

AMENDMENTS.

<i>Amendment No.</i>	<i>Serial No.</i>	<i>Date of Issue.</i>	<i>Page Amended.</i>	<i>Initials.</i>
1				
2				
3				
4				
5				
6				
7				
8				
9				
10				
11				
12				

**UNIT, TRANSFER, INTERCOM. N<sup>o</sup> 1. - FIG 1.**



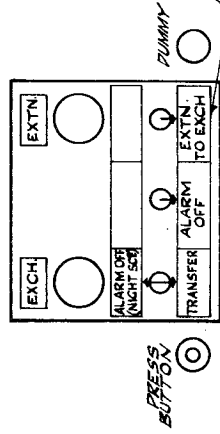
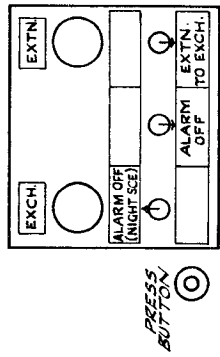
FOR USE AT  
 MAIN STATION  
 WHEN NO 2<sup>ND</sup> CHOICE MAIN STATION  
 FITTED OR AT 2<sup>ND</sup> CHOICE MAIN  
 STATION ON INSTALLATIONS  
 WITHOUT EXTERNAL EXTENSION.

FOR USE AT  
 1<sup>ST</sup> CHOICE MAIN STATION  
 WHEN 2<sup>ND</sup> CHOICE MAIN  
 STATION FITTED.

FOR USE AT  
 2<sup>ND</sup> CHOICE MAIN STATION  
 ON INSTALLATIONS WITH EXTERNAL  
 EXTENSION AND AT 2<sup>ND</sup> CHOICE MAIN  
 STATIONS ON THESE INSTALLATIONS  
 SEE FIG 2.)

NOTE: A & B ARE USED ONLY ON INSTALLATIONS WITH NO EXTERNAL EXTENSION.

**UNIT, TRANSFER, INTERCOM. N<sup>o</sup> 1A. - FIG 2.**



FOR USE AT  
 MAIN STATION  
 WHEN NO 2<sup>ND</sup> CHOICE  
 MAIN STATION FITTED.

FOR USE AT  
 1<sup>ST</sup> CHOICE MAIN STATION  
 WHEN 2<sup>ND</sup> CHOICE MAIN STATION  
 FITTED. (UNIT TRANSFER INTERCOM.  
 N<sup>o</sup> 1 WITH ADDITIONAL INDB WILL  
 BE FITTED AT 2<sup>ND</sup> CHOICE MAIN  
 STATION SEE FIG 1C.

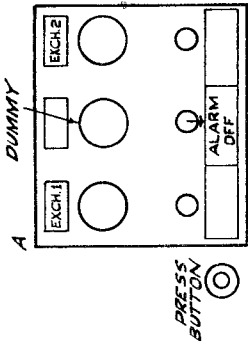
FOR USE AT  
 2<sup>ND</sup> CHOICE MAIN STATION  
 ON INSTALLATIONS WITH EXTERNAL EXTENSION.  
 SEE FIG 2.)

BOTTOM LABEL SUPPLIED  
 WITH UNIT TO BE  
 REVERSED AS SHOWN.

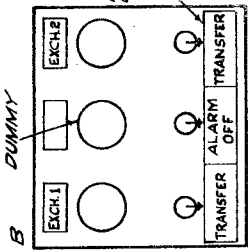
NOTE: THIS UNIT IS USED ONLY ON INSTALLATIONS HAVING AN EXTERNAL EXTENSION.

ISSUES			COMMONWEALTH OF AUSTRALIA P.M.G.'S DEPARTMENT	
N <sup>o</sup>	DATE	APP.	AMENDMENTS	
1	1.6.37	DR.		
			<b>INTERCOM. TELEPHONE SYSTEMS</b> <b>UNITS, TRANSFER N<sup>os</sup> 1 &amp; 1A</b> <b>DETAILS OF LABELS</b>	
			DRAWING N <sup>o</sup> <b>C. 1235</b>	Drawn: A.J.H. Examined: Approved: Chief Engineer. Date: 1.6.37
			SHEET 1 (2 SHEETS)	

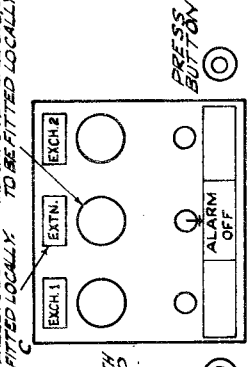
UNIT, TRANSFER INTERCOM, N° 2 - FIG 3.



FOR USE AT  
MAIN STATION  
WHEN NO 2ND CHOICE MAIN  
STATION FITTED ON 2ND  
CHOICE MAIN STATION ON  
INSTALLATIONS HAVING NO  
EXTERNAL EXTENSION.



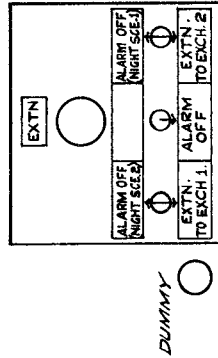
FOR USE AT  
1ST CHOICE MAIN STATION  
WHEN 2ND CHOICE MAIN  
STATION FITTED.



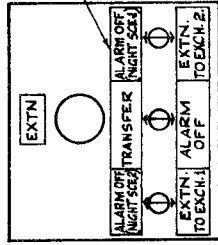
FOR USE AT  
2ND CHOICE MAIN STATION  
ON INSTALLATIONS WITH EXTERNAL  
EXTENSION/UNIT TRANSFER INTERCOM.  
N° 2 TOGETHER WITH UNIT TRANSFER  
INTERCOM N° 3 ARE FITTED AT 1ST CHOICE  
MAIN STATIONS ON THESE INSTALLATIONS.  
SEE FIG. 4 FOR UNIT TRANSFER INTERCOM. N° 3.

NOTE: A & B ARE USED ONLY ON INSTALLATIONS WITH NO EXTERNAL EXTENSION.

UNIT, TRANSFER INTERCOM, N° 3 - FIG 4.



FOR USE AT  
2ND CHOICE MAIN STATION  
WHEN NO 2ND CHOICE  
MAIN STATION FITTED.



FOR USE AT  
1ST CHOICE MAIN STATION  
WHEN 2ND CHOICE MAIN  
STATION FITTED.

TOP LABEL SUPPLIED  
WITH UNIT TO BE  
REVERSED AS SHOWN.

NOTE: THIS UNIT IS USED ONLY AT 1ST CHOICE MAIN STATIONS ON INSTALLATIONS WITH AN  
EXTERNAL EXTENSION AND WIRED WITH 20 PR-TN/30 I.C. CABLE.

ISSUES

NO	DATE	APPR	AMENDMENTS
1	1.6.37	874	

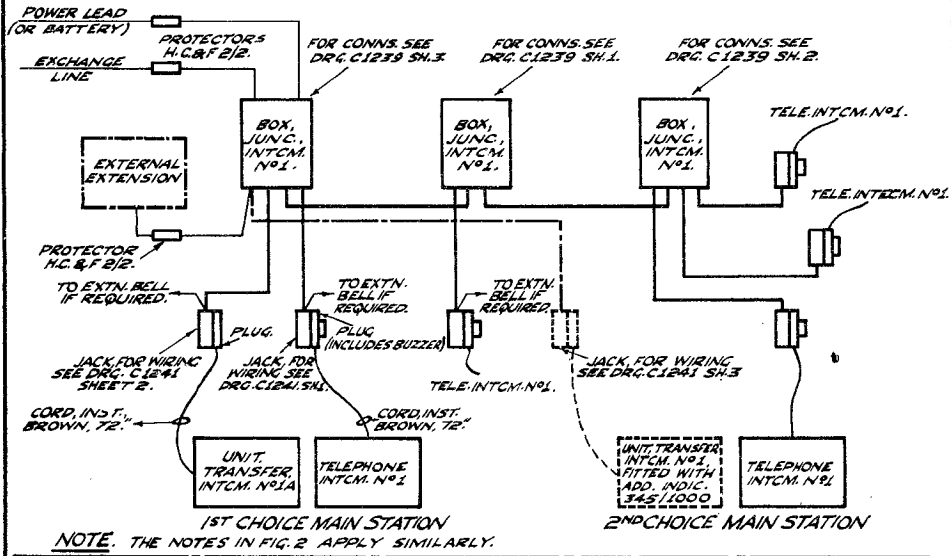
COMMONWEALTH OF AUSTRALIA  
P.M.G.'S DEPARTMENT

INTERCOM TELEPHONE  
SYSTEMS  
UNIT, TRANSFER N°s 2 & 3  
DETAILS OF LABELS

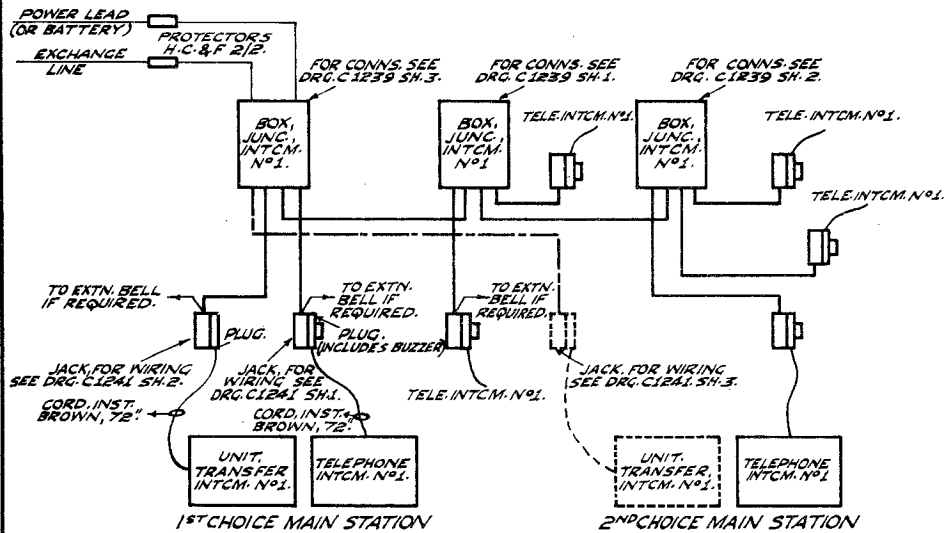
DRAWING N°  
C. 1235  
SHEET 2 / 2 SHEETS

Drawn: A. J. H.  
Examined: M. G.  
Approved: Chief Engineer  
Date: 1.6.37

**FIG. 1. TYPICAL SCHEMATIC LAYOUT FOR SYSTEM WITH 1 EXCHANGE LINE, 5 INTERNAL EXTN. STATIONS, 1 EXTERNAL EXTN. STATION & 2<sup>ND</sup> CHOICE MAIN STATION.**



**FIG. 2. TYPICAL SCHEMATIC LAYOUT FOR SYSTEM WITH 1 EXCHANGE LINE, 5 INTERNAL EXTN. STATIONS & 2<sup>ND</sup> CHOICE MAIN STATION.**

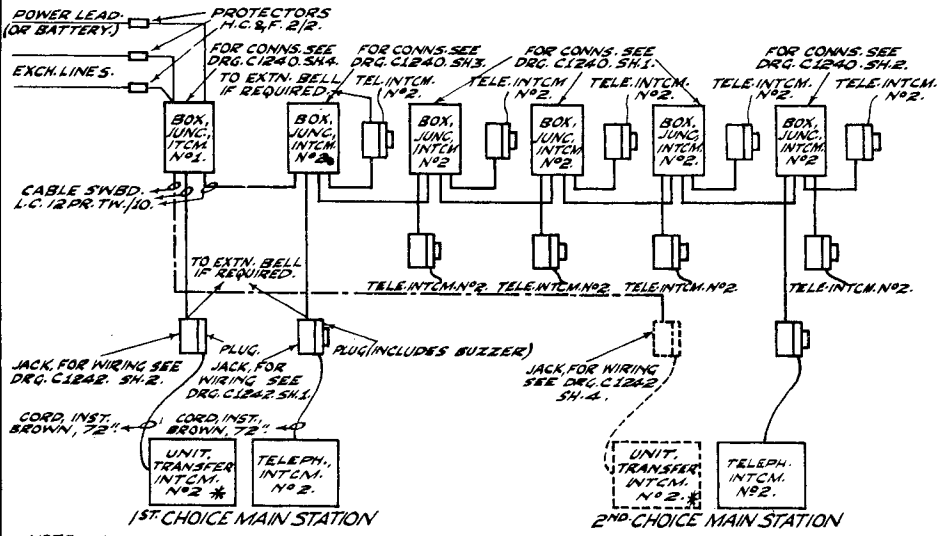


**NOTES**

1. THE DIAGRAM SHOWS THE MAXIMUM NUMBER OF STATIONS WHICH MAY BE CONNECTED.
2. A JUNCTION BOX LAYOUT SIMILAR TO THE ABOVE WILL BE SUITABLE FOR THE MAJORITY OF SYSTEMS BUT IN SOME CASES IT MAY BE PREFERABLE TO ADOPT LAYOUTS AS SHOWN ON DRWG. C. 1237.
3. THE LEFT-HAND CABLE AND ADDITIONAL UNIT TRANSFER, INTCM. NO. 1 (SHOWN DOTTED) WILL BE FITTED ONLY WHEN A 2<sup>ND</sup> CHOICE MAIN STATION IS REQUIRED.
4. THE MULTIPLE CABLE SHOULD BE TERMINATED ON THE CENTER TERMINAL STRIPS OF THE JUNCTION BOXES.
5. THE EXCHANGE LINE MAY BE BROUGHT INTO THE MULTIPLE AT ANY POINT ON THE SYSTEM.
6. PLUG POINT CONNECTIONS ARE SHOWN ON DRWG. C. 1238.
7. ALL CABLES TO BE CABLE SYMBD. L.C. 12 P.P. TW/10, EXCEPT WHERE SHOWN OTHERWISE.

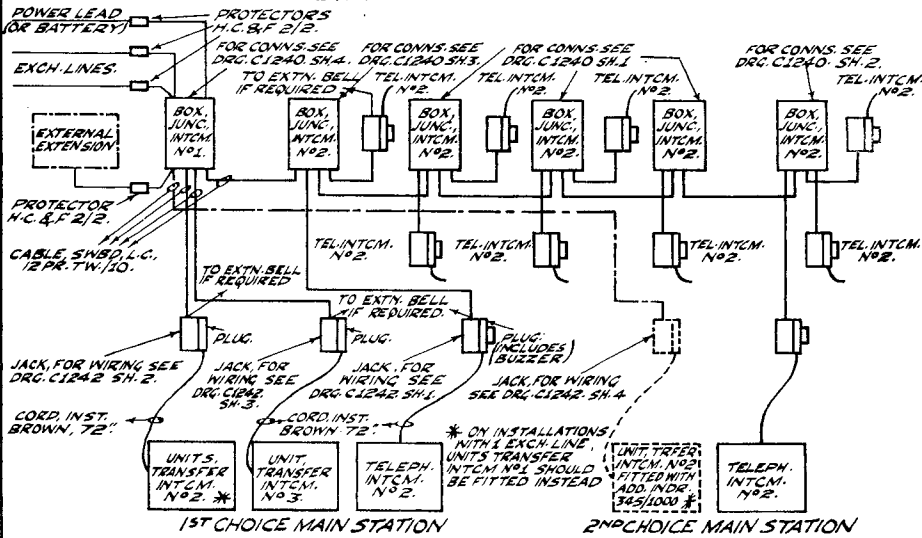
ISSUES			COMMONWEALTH OF AUSTRALIA P.M.C.'S DEPARTMENT	
NO	DATE	AMENDMENTS		
1	11.6.37		<b>INTERCOM. TELEPHONE SYSTEMS TYPICAL LAYOUTS</b>	
			DRAWING NO	Drawn: A.J.H.
			<b>C.1236</b>	Examined: [Signature]
			SHEET 1 (2 SHEETS)	Approved: [Signature] Chief Engineer.
				Date: 11.6.37

**FIG. 3. TYPICAL SCHEMATIC LAYOUT FOR SYSTEM WITH 1 OR 2 EXCH. LINES, 11 INTERNAL EXTN. STATIONS & 2ND CHOICE MAIN STATION.**



NOTE. NOTES IN FIG. 4 APPLY SIMILARLY.

**FIG. 4. TYPICAL SCHEMATIC LAYOUT FOR SYSTEM WITH 1 OR 2 EXCH. LINES, 10 INTERNAL EXTN. STATIONS, 1 EXTERNAL EXTN. STATION, & 2ND CHOICE MAIN STATION.**



**NOTES.**

1. THE DIAGRAM SHOWS THE MAXIMUM NUMBER OF STATIONS WHICH MAY BE CONNECTED.
2. A JUNCTION BOX LAYOUT SIMILAR TO THE ABOVE WILL BE SUITABLE FOR THE MAJORITY OF SYSTEMS BUT IN SOME CASES IT MAY BE PREFERABLE TO ADOPT LAYOUTS AS SHOWN ON C1237.
3. THE 12 PR. TW./10 CABLE AND ADDITIONAL UNIT TRANSFER (INTCM. N°2) (SHOWN DOTTED) WILL BE FITTED ONLY WHEN A 2ND CHOICE MAIN STATION IS REQUIRED.
4. THE MULTIPLE CABLE SHOULD BE TERMINATED ON THE CENTER TERMINAL STRIPS OF THE JUNCTION BOXES.
5. THE EXCHANGE LINES MAY BE BROUGHT INTO THE MULTIPLE AT ANY POINT ON THE SYSTEM.
6. PLUG POINT CONNECTIONS ARE SHOWN ON DRG. C 1238.
7. ALL CABLES TO BE CABLE SWBD. L.C. 20 PR. TW./10. EXCEPT WHERE SHOWN OTHERWISE.

**ISSUES**

NO	DATE	APP	AMENDMENTS
1	11.6.37	BY	

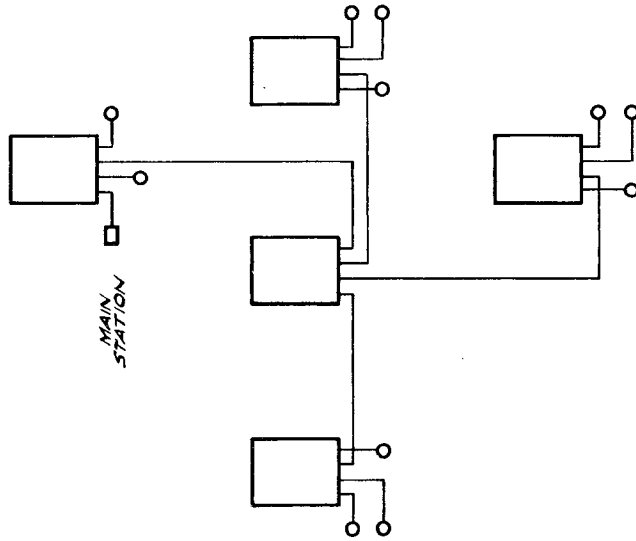
COMMONWEALTH OF AUSTRALIA  
P.M.G.'S DEPARTMENT.

**INTERCOM. TELEPHONE  
SYSTEMS  
TYPICAL LAYOUTS**

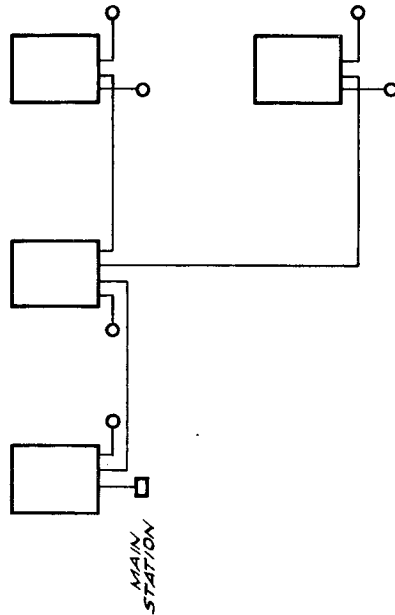
DRAWING NO  
**C. 1236**  
SHEET 2 / (2 SHEETS)

Drawn: A. J. H.  
Examined: A. G.  
Approved: J. J.  
Chief Engineer.  
Date: 11.6.37



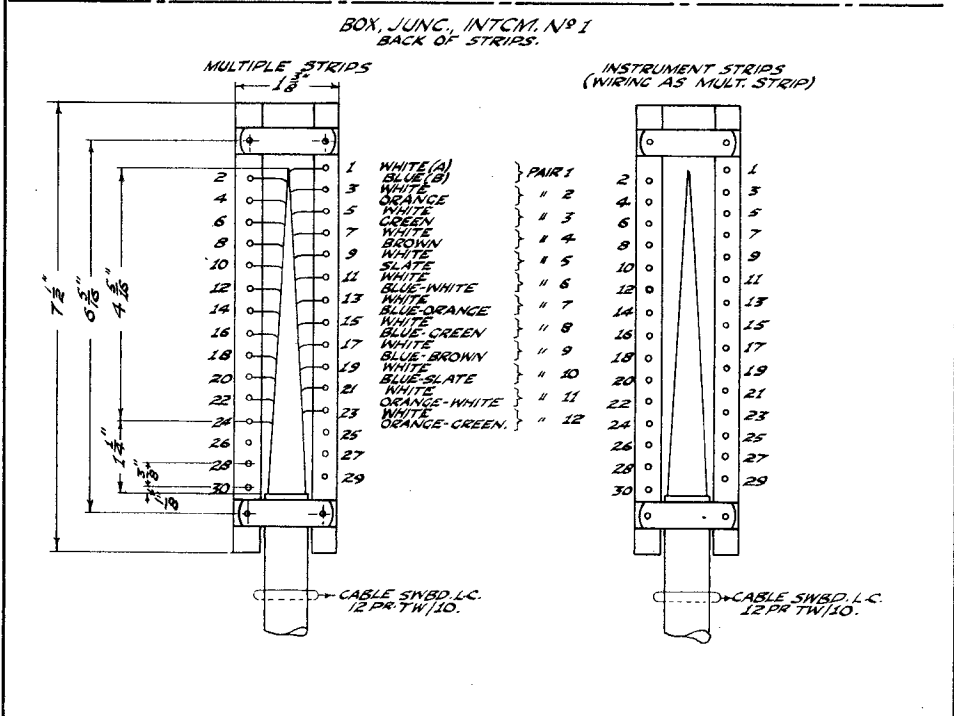
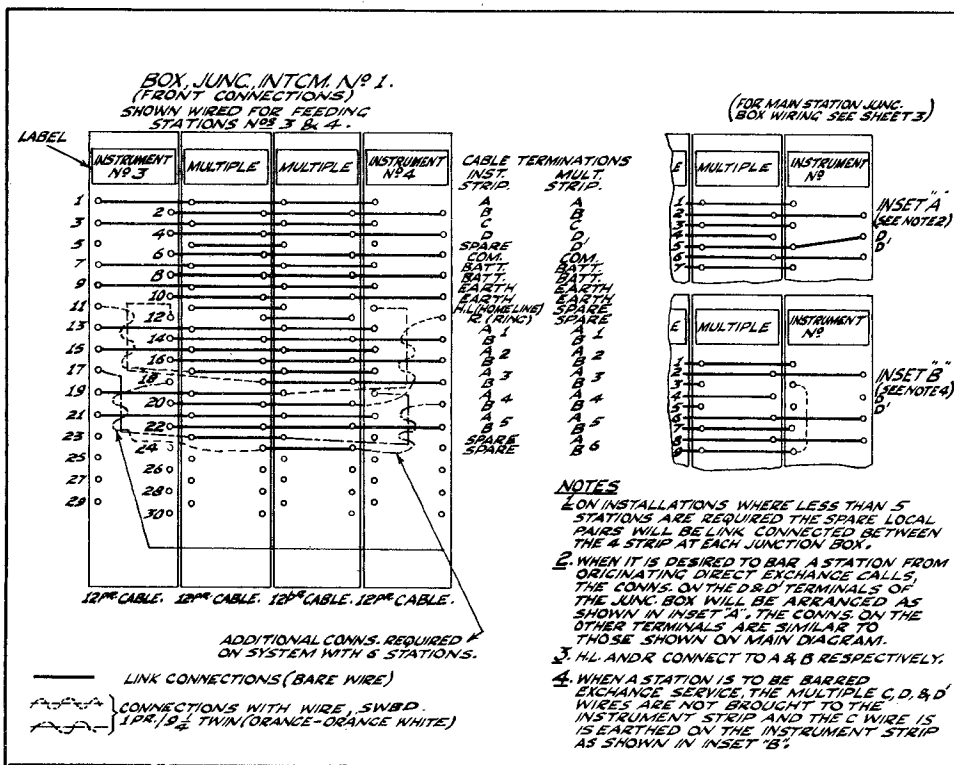


○ = INSTRUMENT  
 □ = UNIT



ISSUES AMENDMENTS			COMMONWEALTH OF AUSTRALIA P.M.C.'S DEPARTMENT	
NO	DATE	APP	<b>INTERCOM. TELEPHONE SYSTEMS</b> ALTERNATIVE ARRANGEMENT OF JUNCTION BOXES	
1	11-6-37	D.V.		
			DRAWING NO <b>C 1237</b>	Drawn: A.J.H. Examined: D.G. Approved: D.V. for Chief Engineer. Date: 11-6-37

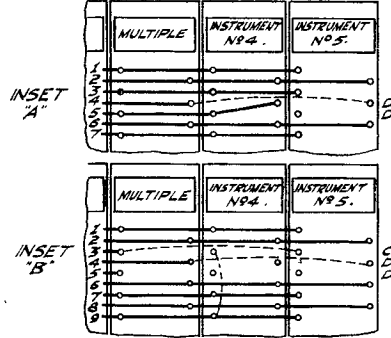
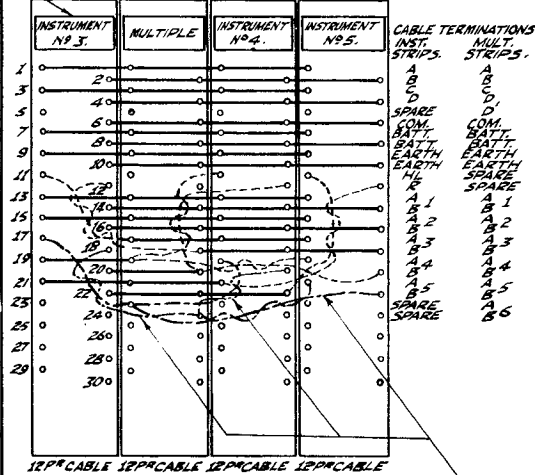




ISSUES			COMMONWEALTH OF AUSTRALIA	
AMENDMENTS			P.M.C.'S DEPARTMENT	
N <sup>o</sup>	DATE	APP.	<b>INTERCOM. TELEPHONE SYSTEMS</b>	
1	24.6.37	[Signature]		
			TYPICAL JUNCTION BOX WIRING FOR EXTNS. FOR INSTALLATIONS WITH ONE EXCHANGE LINE & UP TO 6 EXTENSIONS.	
DRAWING N <sup>o</sup>		Drawn A. J. H.		
C. 1239		Examined [Signature]		
SHEET 1 (5 SHEETS)		Approved [Signature] Chief Engineer.		
		Date 24.6.37		

**BOX, JUNCTION, INTERM. NO. 1.**  
FRONT CONNECTIONS  
SHOWN WIRED FOR FEEDING  
STATIONS NOS 3, 4, 5.

(FOR MAIN STATION JUNC.  
BOX WIRING SEE SHEET 3)



**NOTES**

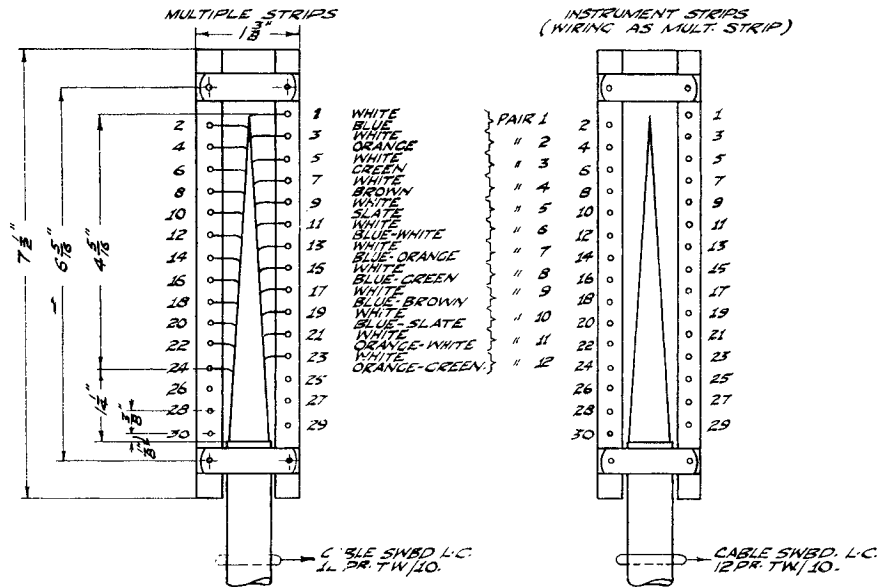
- ON INSTALLATIONS WHERE LESS THAN 5 STATIONS ARE REQUIRED THE SPARE LOCAL PAIRS WILL BE LINK CONNECTED BETWEEN THE 4 STRIPS AT EACH JUNCTION BOX.
- INSET "A" SHOWS CONNECTIONS WHEN INSTRUMENT NO. 4 IS TO BE BARRED FROM ORIGINATING DIRECT EXCHANGE CALLS WHILE INSTRUMENT NO. 5 HAS FULL FACILITIES.
- HL & R CONNECTED TO A & B RESPECTIVELY.
- INSET "B" SHOWS CONNECTIONS WHEN INSTRUMENT NO. 4 IS TO BE BARRED EXCHANGE SERVICE WHILE INSTRUMENT NO. 5 HAS FULL FACILITIES.

12PR. CABLE 12PR. CABLE 12PR. CABLE 12PR. CABLE

ADDITIONAL CONNS. REQUIRED ON SYSTEMS WITH 6 STATIONS.

— LINK CONNECTIONS (BARE WIRE)  
--- CONNECTIONS WITH WIRE, SWBD 12PR. TW/10  
--- TWIN (ORANGE - ORANGE WHITE.)

**BOX, JUNCTION, INTERM. NO. 1.**  
BACK OF STRIPS

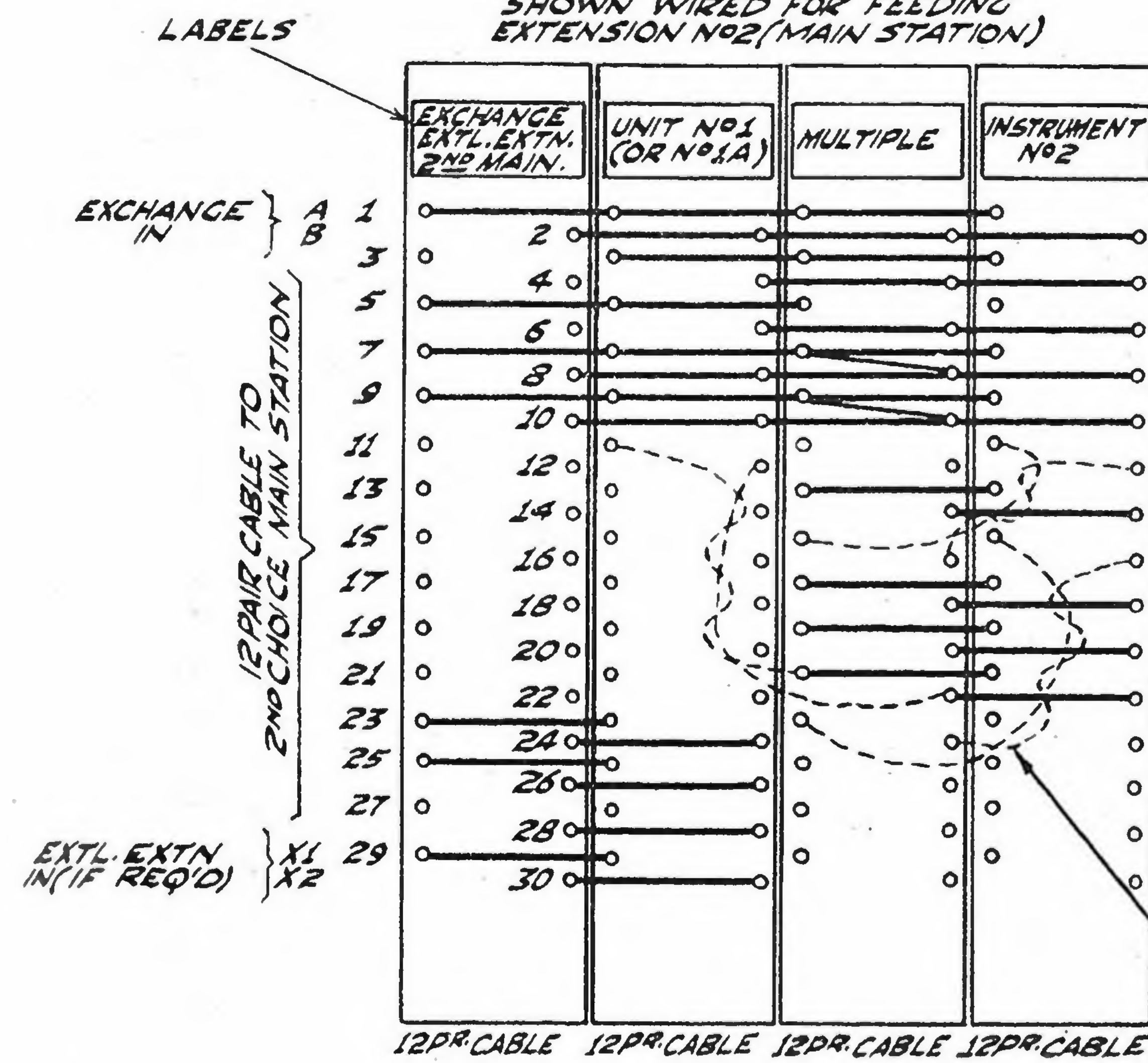


ISSUES			COMMONWEALTH OF AUSTRALIA P.M.C.'S DEPARTMENT
NO	DATE	AMENDMENTS	
1	29.6.37		<b>INTERCOM. TELEPHONE SYSTEMS</b> TYPICAL JUNCTION BOX WIRING FOR 3 TERMINAL STATIONS FOR INSTALLATIONS WITH 1 EXCHANGE LINE & UP TO 6 EXTNS.
DRAWING NO <b>C 1239</b> SHEETS (3 SHEETS)			



BOX, JUNCTION, INTCM. N°1  
FRONT CONNECTIONS

SHOWN WIRED FOR FEEDING  
EXTENSION N°2 (MAIN STATION)



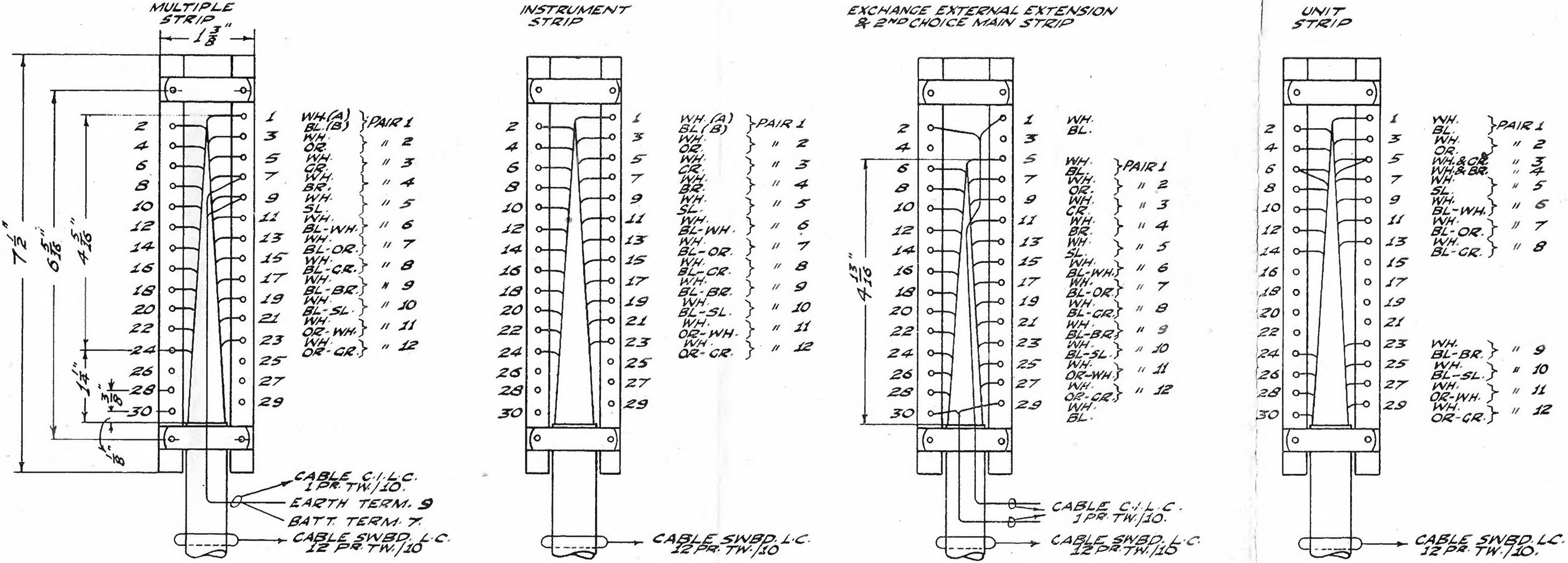
CABLE TERMINATIONS

UNIT TERMLS.	2ND MAIN TERMLS.	MULT. TERMLS.	INST. TERMLS.
A		A	A
B		B	B
C		C	C
D		D	D
COM. BATT.	D SPARE BATT.	COM. BATT.	SPARE COM. BATT.
EARTH	EARTH	EARTH	EARTH
HL	SPARE	SPARE	HL
R	"	"	R
SPARE	"	A 1	A 1
"	"	A 2	A 2
"	"	A 3	A 3
"	"	A 4	A 4
"	"	A 5	A 5
"	"	A 6	A 6
"	"	SPARE	SPARE
A B C D	A B C D	A B C D	A B C D
S OR TR SPARE	SPARE	TR OR SPARE	
X1 OR X2 SPARE			

NOTES  
 1. HL & R CONNECTED TO A & B RESPECTIVELY  
 2. ON INSTALLATIONS HAVING AN EXTERNAL EXTENSION STATION TERMINALS 11 & 12, (HL & R) ON THE UNIT STRIP MUST BE CONNECTED TO THE A & B TERMINALS CORRESPONDING TO THE EXTL. EXTN NUMBER ON THE MULTIPLE STRIP. THE CONNECTIONS WHEN EXTL. EXTN. IS N°5 ARE SHOWN ON THE DIAGRAM

ADDITIONAL CONNECTIONS REQUIRED ON INSTALLATIONS WITH 6 STATIONS.  
 \* LINK CONNECTIONS (BARE WIRE).  
 - - - - - = CONNECTIONS WITH WIRE SWBD. 1 PR TW/9 1/2 (ORANGE-ORANGE WHITE).  
 SPARE = SPARE WIRES TERMINATED.

CABLE TERMINATIONS  
BACK OF STRIPS



ISSUES			
N°	DATE	APP	AMENDMENTS
1	29.6.37	[Signature]	

COMMONWEALTH OF AUSTRALIA  
P.M.C.'S DEPARTMENT

**INTERCOM. TELEPHONE SYSTEMS**

TYPICAL JUNCTION BOX WIRING FOR 1ST CHOICE MAIN STATION FOR INSTALLATIONS WITH 1 EXCHANGE LINE & UP TO 6 EXTNS.

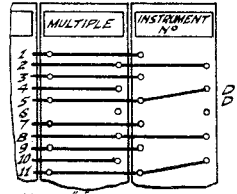
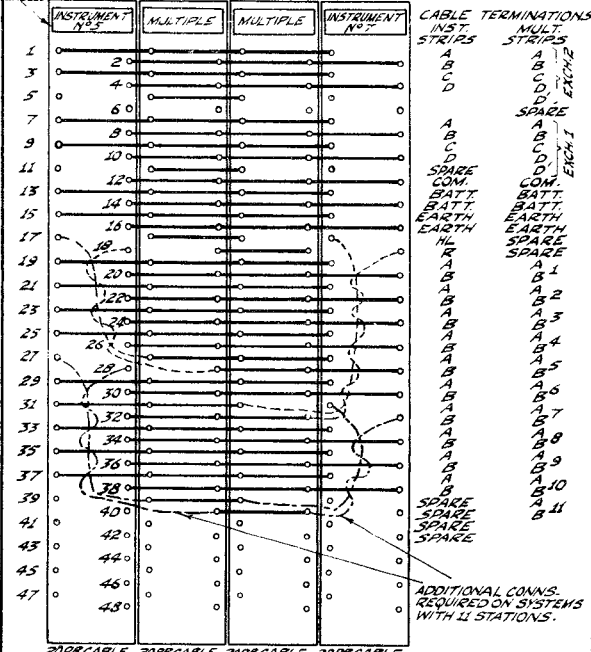
DRAWING N° C. 1239  
SHEET 3 (3 SHEETS)

Drawn: A.J.H.  
Examined: [Signature]  
Approved: [Signature]  
Chief Engineer  
Date: 29.6.37

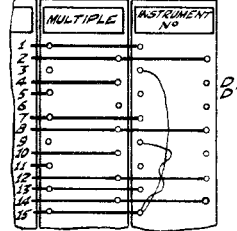


**BOX JUNCTION INTERCOM. NO. 2**  
FRONT CONNS. SHOWN WIRED FOR FEEDING EXTNS. NO. 5 & 7.

FOR MAIN STATION JUNC. BOX WIRING SEE SHEETS 3, 4.



INSET A - SEE NOTE 2.



INSET B - SEE NOTE 4.

- NOTES**
- ON INSTALLATIONS WHERE LESS THAN 10 STATIONS ARE REQUIRED THE SPARE LOCAL PAIRS WILL BE LINK CONNECTED BETWEEN THE FOUR STRIPS AT EACH JUNCTION BOX.
  - WHERE IT IS DESIRED TO BAR A STATION FROM ORIGINATING DIRECT EXCH. CALLS, THE CONNS. ON THE D & D' TERMINALS OF THE JUNC. BOX WILL BE ARRANGED AS SHOWN IN INSET A. THE CONNS. ON THE OTHER TERMINALS ARE SIMILAR TO THOSE SHOWN ON MAIN DIAGRAM.
  - HL & R CONNECTED TO A & B RESPECTIVELY.
  - WHEN A STATION IS TO BE BARRED EXCHANGE SERVICE THE MULT. C, D & D' WIRES ARE NOT BROUGHT TO THE INST. STRIP & THE C WIRE IS EARTHED ON THE INST. STRIP AS SHOWN IN INSET B.

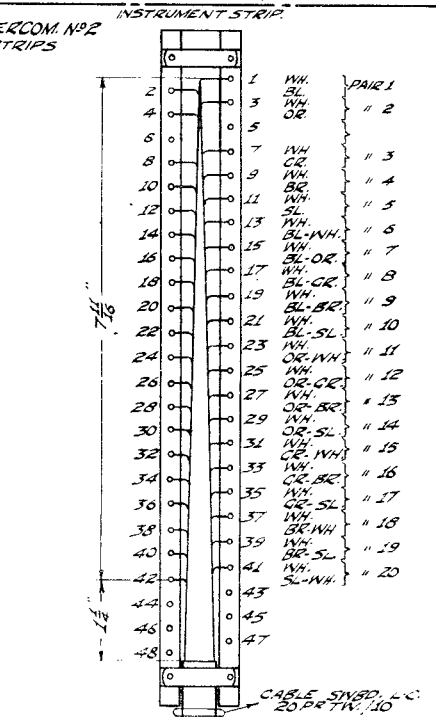
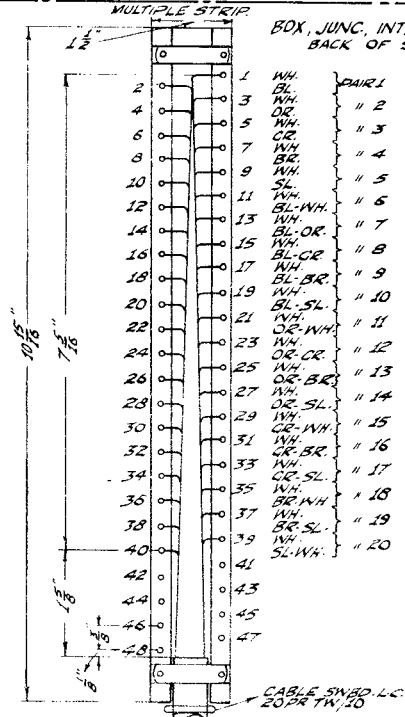
ADDITIONAL CONNS. REQUIRED ON SYSTEMS WITH 11 STATIONS.

20 PR CABLE 20 PR CABLE 20 PR CABLE 20 PR CABLE

LINK CONNECTIONS (BARE WIRE)

CONNECTIONS WITH WIRE SWAG

1 PR TW/96 (ORANGE-ORANGE WHITE)



NO	DATE	APP	ISSUES AMENDMENTS
1	20.7.37	AW	

COMMONWEALTH OF AUSTRALIA  
P.M.C.'S DEPARTMENT

**INTERCOM. TELEPHONE SYSTEMS**

TYPICAL JUNCTION BOX WIRING FOR EXTNS. FOR INSTALLATIONS WITH 2 EXCHANGE LINES & UP TO 11 EXTNS.

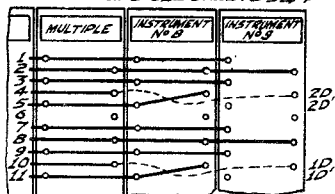
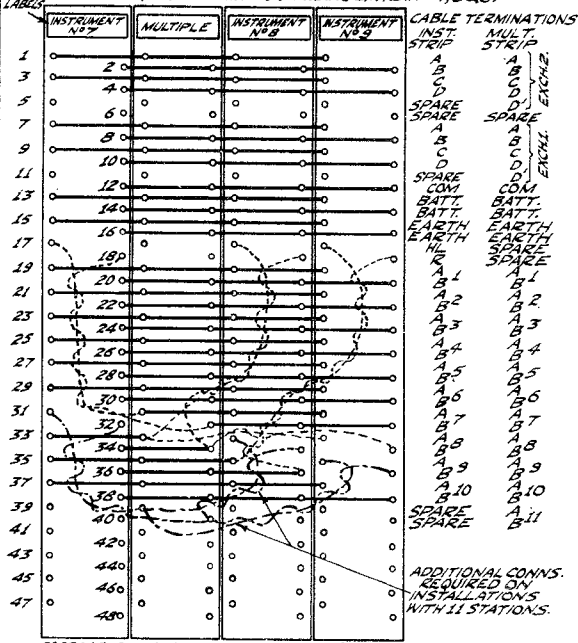
DRAWING NO. **C 1240**  
SHEET 1 (4 SHEETS)

Drawn: A.J.H.  
Examined: P.G.  
Approved: [Signature]  
Chief Engineer.  
Date: 20.7.37

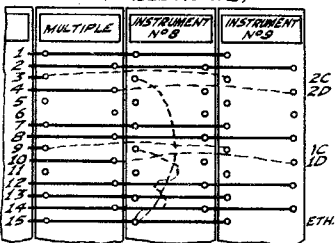
**BOX, JUNCTION, INTERCOM. No. 2.**

FRONT COILS (SHOWN WIRED FOR FEEDING EXTNS. Nos 7, 8 & 9.

FOR MAIN STATION JUNCTION BOX WIRING SEE SHEETS 3 & 4



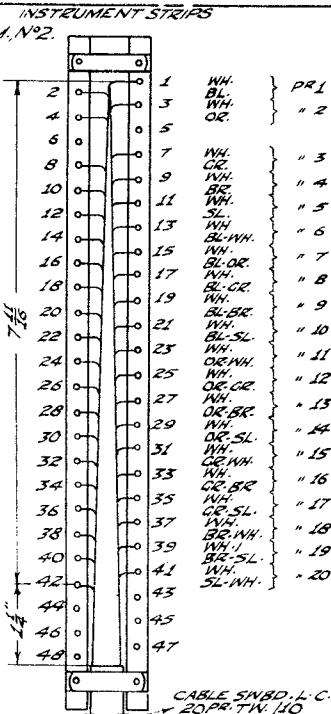
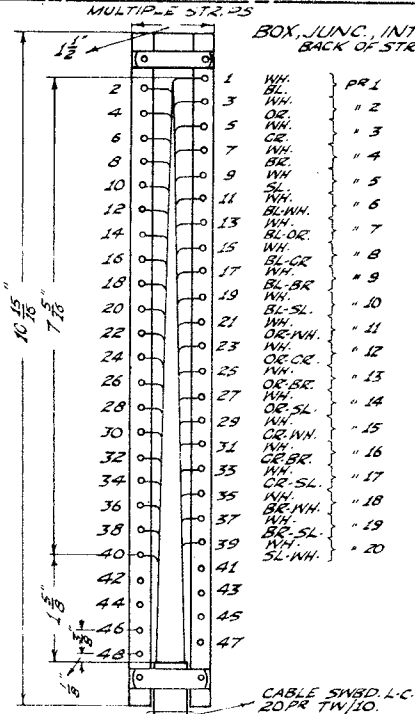
INSET A (SEE NOTE 2)



INSET B (SEE NOTE 4)

- NOTES.**
- ON INSTALLATIONS WHERE LESS THAN 10 STATIONS ARE REQUIRED, THE SPARE COIL PAIRS WILL BE LINK CONNECTED BETWEEN STRIPS AT EACH COIL BOX.
  - INSET A SHOWS CONNECTIONS WHEN INST. No. 8 IS TO BE BARRIED FROM ORIGINATING DIRECT EXCHANGE CALLS WHILE INST. No. 9 HAS FULL FACILITIES.
  - HL & R CONNECTED TO A & B RESPECTIVELY.
  - INSET B SHOWS CONNECTIONS WHEN INST. No. 8 IS TO BE BARRIED EXCHANGE SERVICE WHILE INST. No. 9 HAS FULL FACILITIES.
- SPARE = SPARE WIRES TERMINATED.

20PR CABLE 20PR CABLE 20PR CABLE 20PR CABLE  
LINK CONNECTIONS (BARE WIRE)  
CONNECTIONS WIRE SWBD.  
20PR TW/10 (OR-OR-WH.)



ISSUES		
No	DATE	APP
1	20.7.37	[Signature]

COMMONWEALTH OF AUSTRALIA  
P.M.C.'S DEPARTMENT

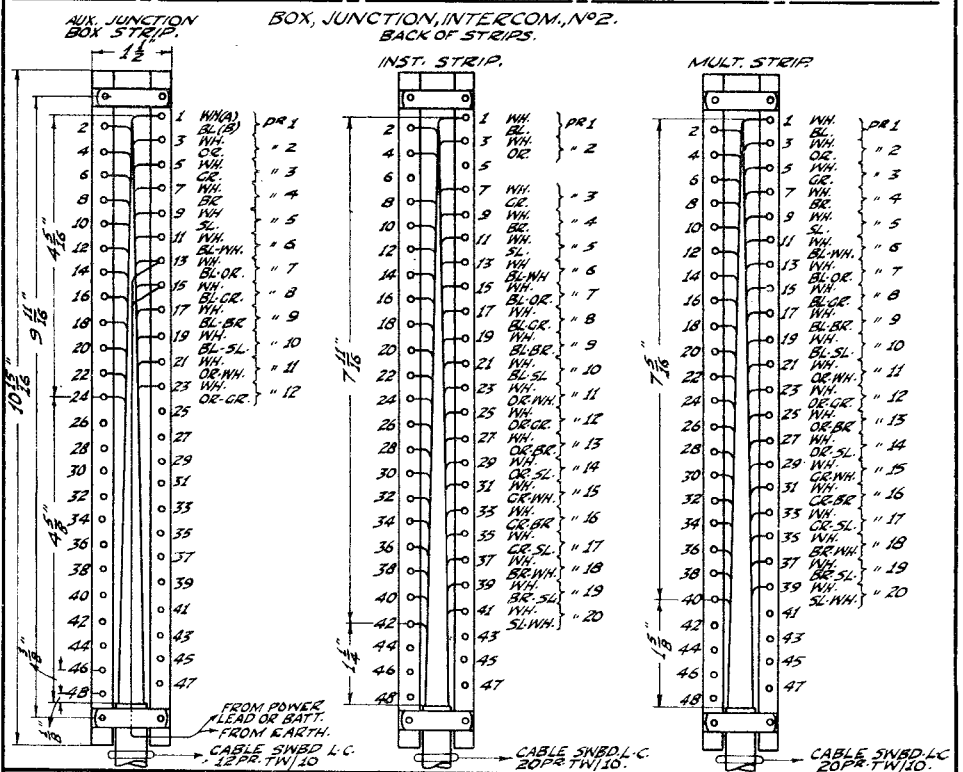
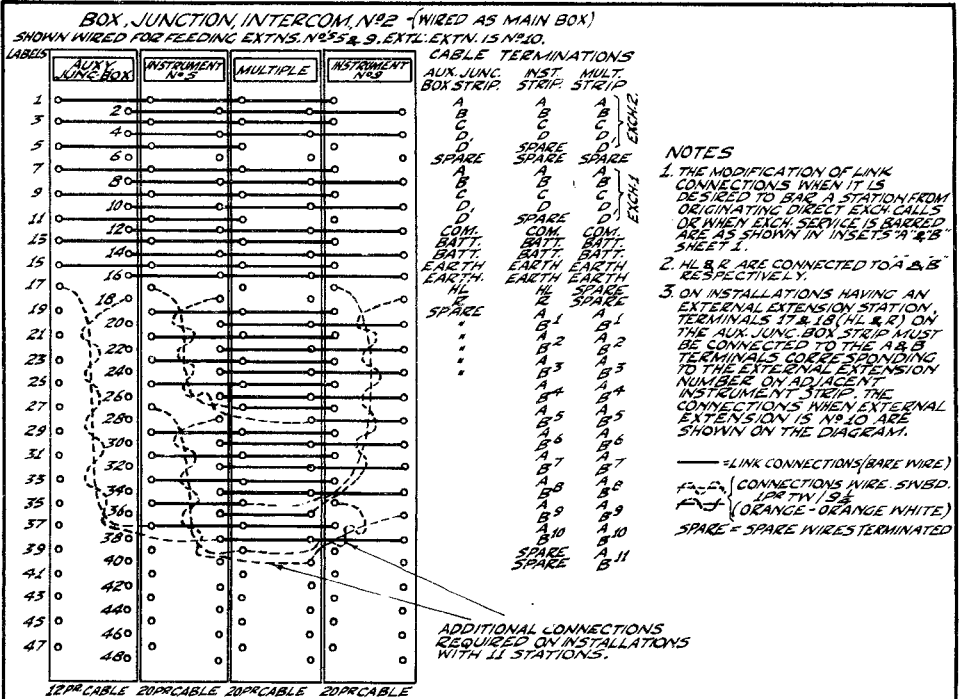
**INTERCOM. TELEPHONE SYSTEMS**

TYPICAL JUNCTION BOX WIRING FOR TERMINAL STATIONS ON INSTALLATIONS WITH 2 EXCHANGE LINES & UP TO 11 EXTNS.

DRAWING No  
**C. 1240**  
SHEET 2 (4 SHEETS)

Drawn: A. J. H.  
Examined: [Signature]  
Approved: [Signature]  
Chief Engineer.

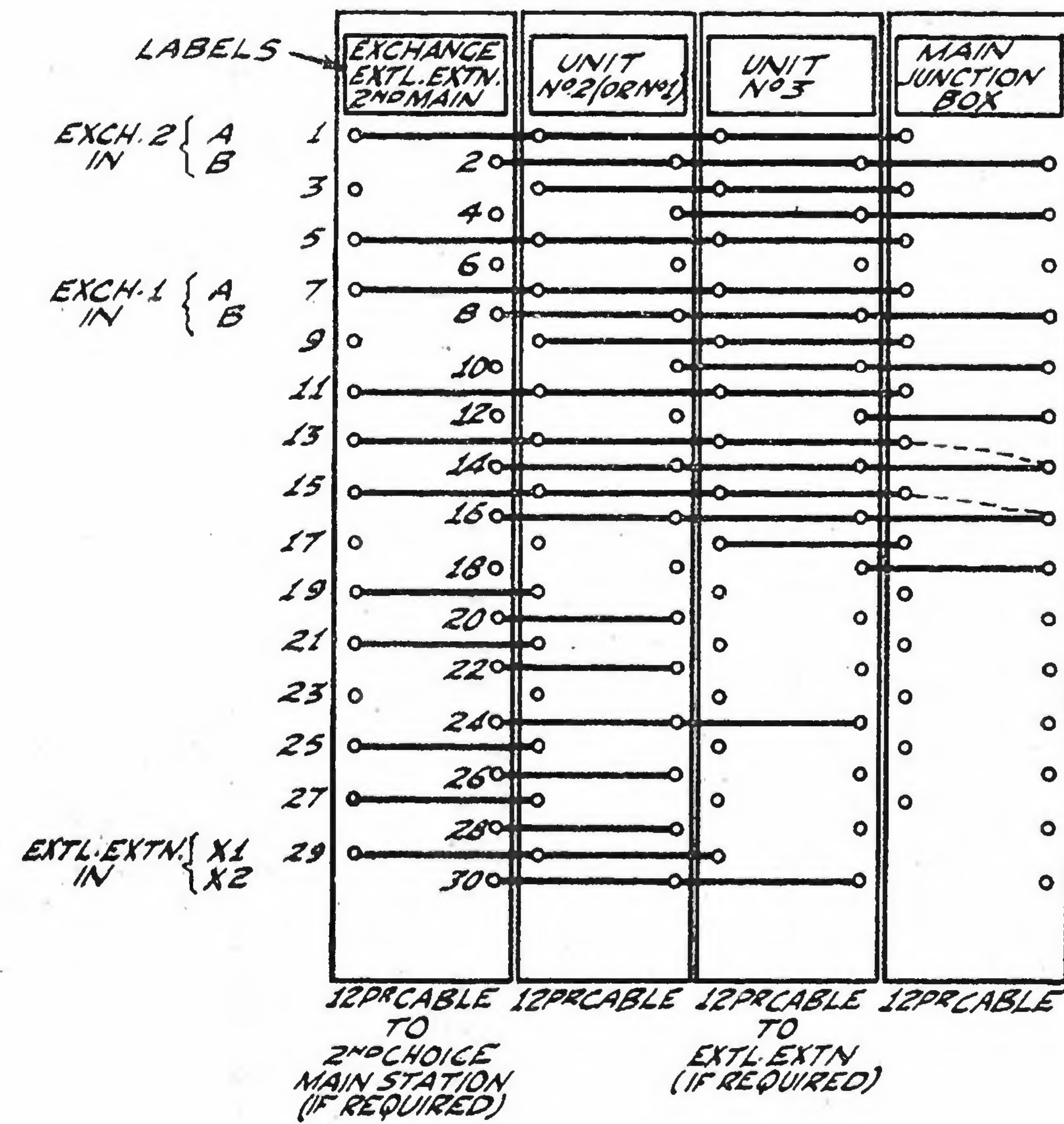
Date: 20.7.37



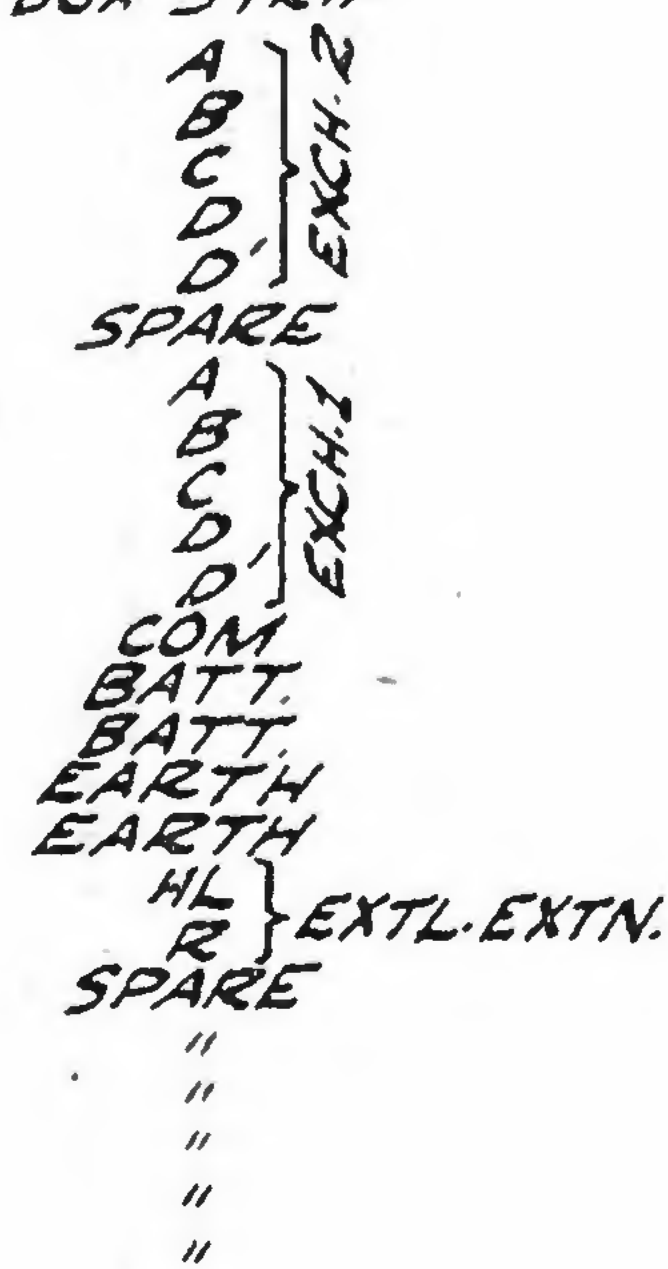
<b>ISSUES</b>			COMMONWEALTH OF AUSTRALIA P.M.C.'S DEPARTMENT
NO.	DATE	APP. AMENDMENTS	
1	20.7.37		<b>INTERCOM. TELEPHONE SYSTEMS</b> TYPICAL JUNCTION BOX WIRING FOR 1ST CHOICE MAIN STATIONS FOR INSTALLATIONS WITH EXCH. LINES & UP TO 11 EXTENSIONS. DRAWING NO. <b>C. 1240</b> SHEETS 3 (4 SHEETS)
			DRAWN: A.J.H. Examined: [Signature] Approved: [Signature] Chief Engineer Date 20.7.37



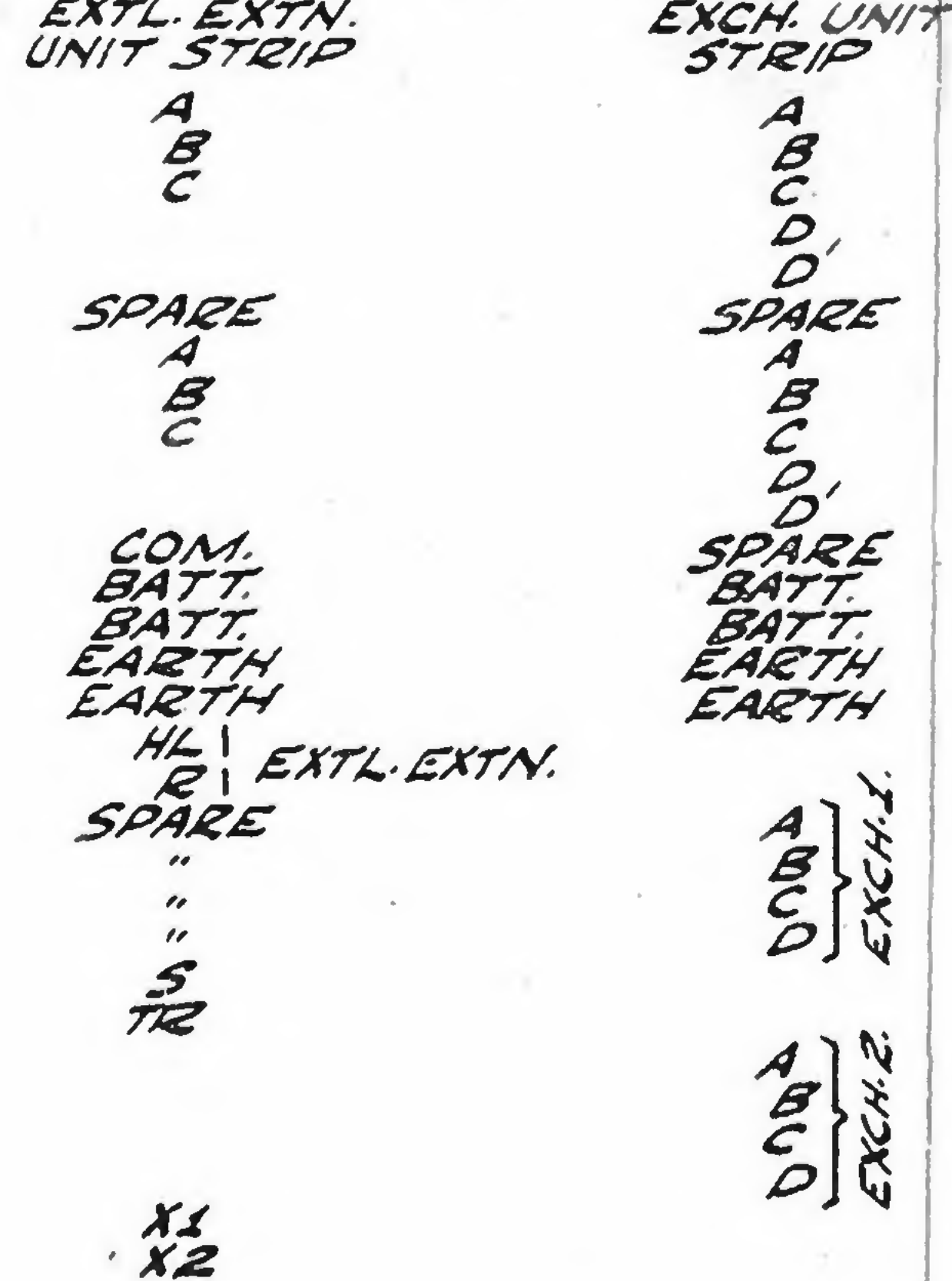
BOX, JUNCTION, INTERCOM. No 1 (USED AT 1ST CHOICE)  
FRONT CONNECTIONS MAIN STATION



MAIN JUNCTION BOX STRIP



CABLE TERMINATIONS

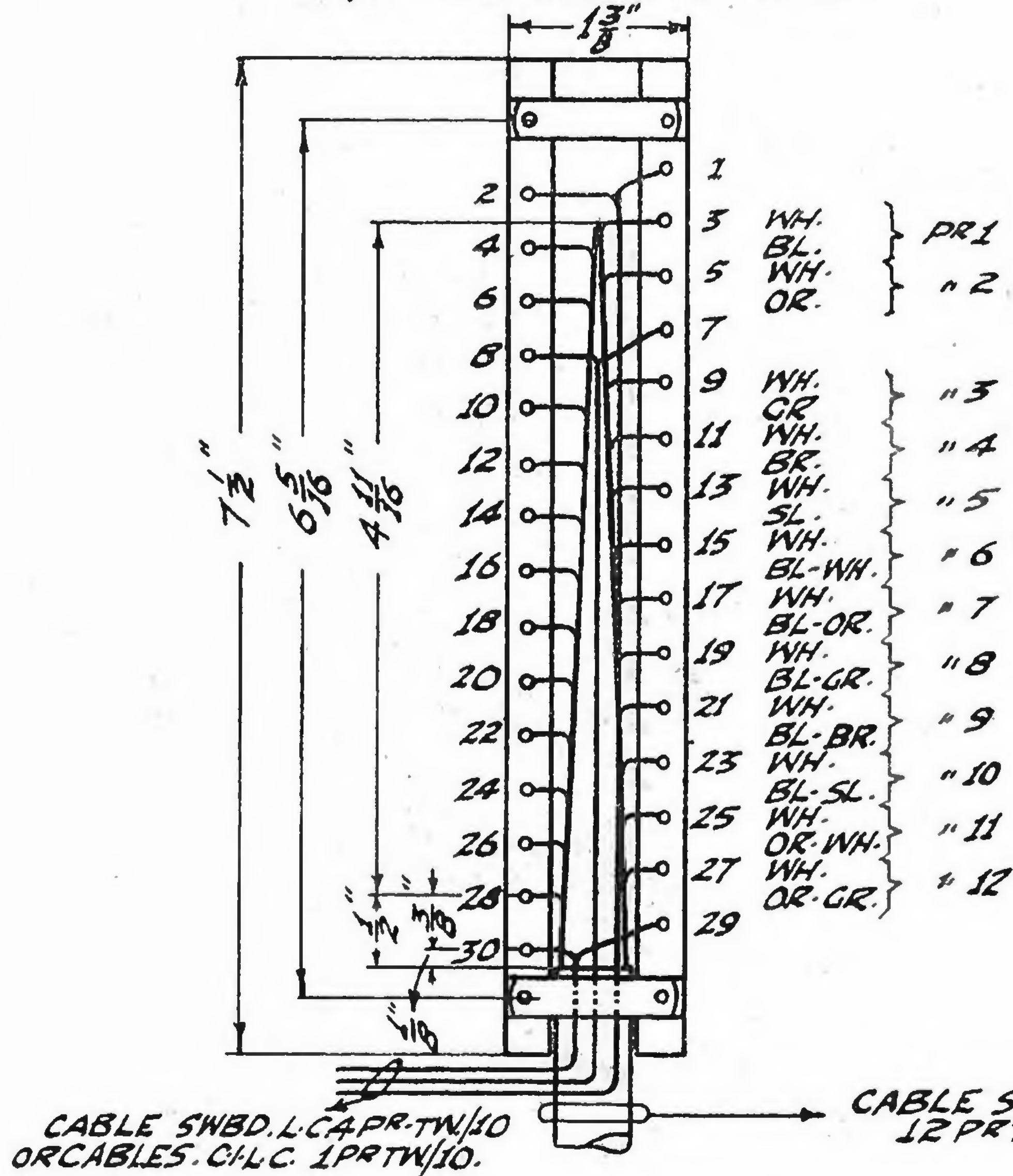


NOTES.

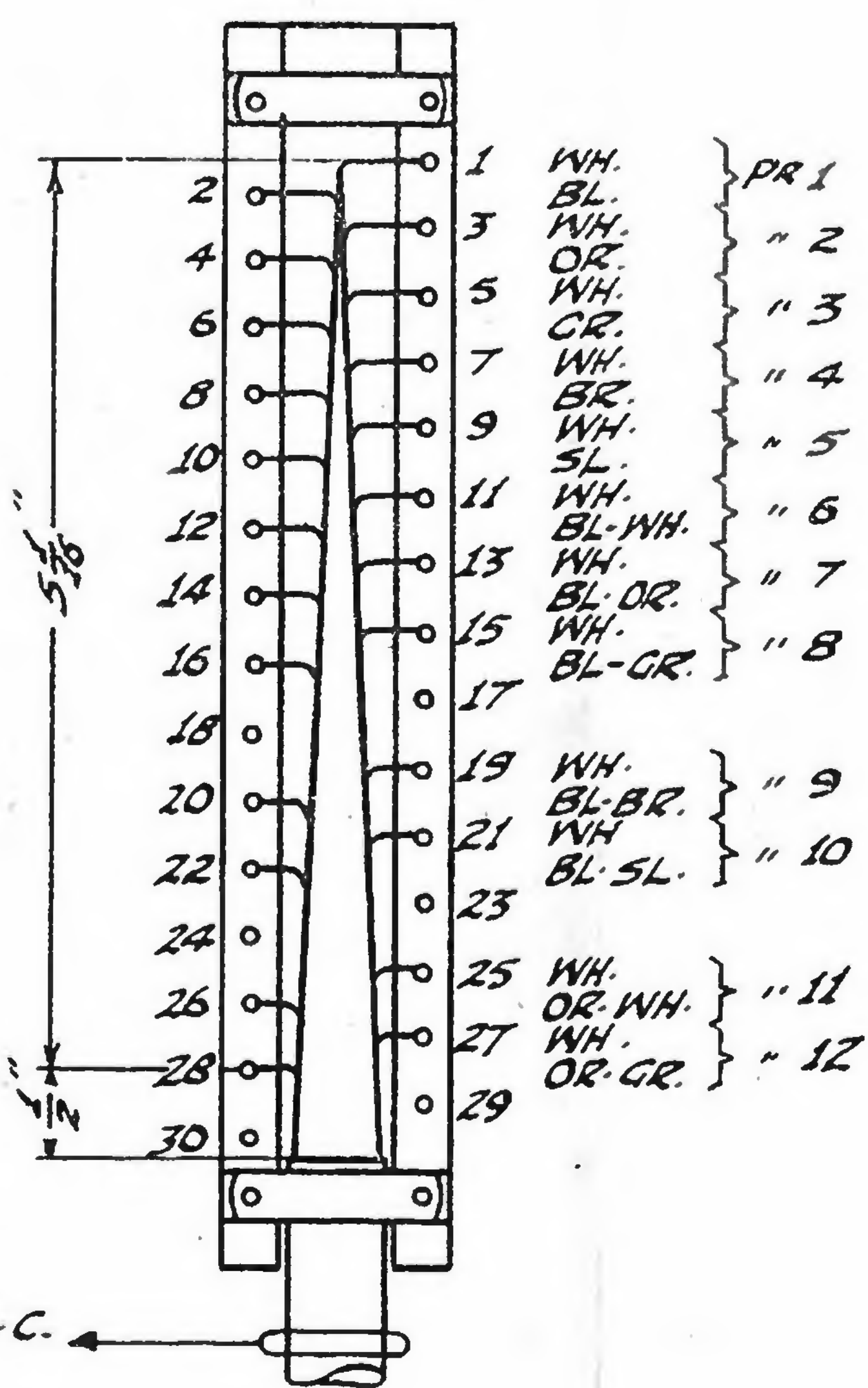
- 1. ON INSTALLATIONS WITH NO EXTL. EXTN. STATION, UNIT No 3 WILL NOT BE REQUIRED.
- - - - - = LINK CONNECTIONS (BARE WIRE)
- = CONNECTIONS WIRE SWBD. 1PRTW/10 (ORANGE - ORANGE WHITE)
- SPARE = SPARE WIRES TERMINATED.

BOX, JUNCTION, INTERCOM. No 1  
BACK OF STRIPS

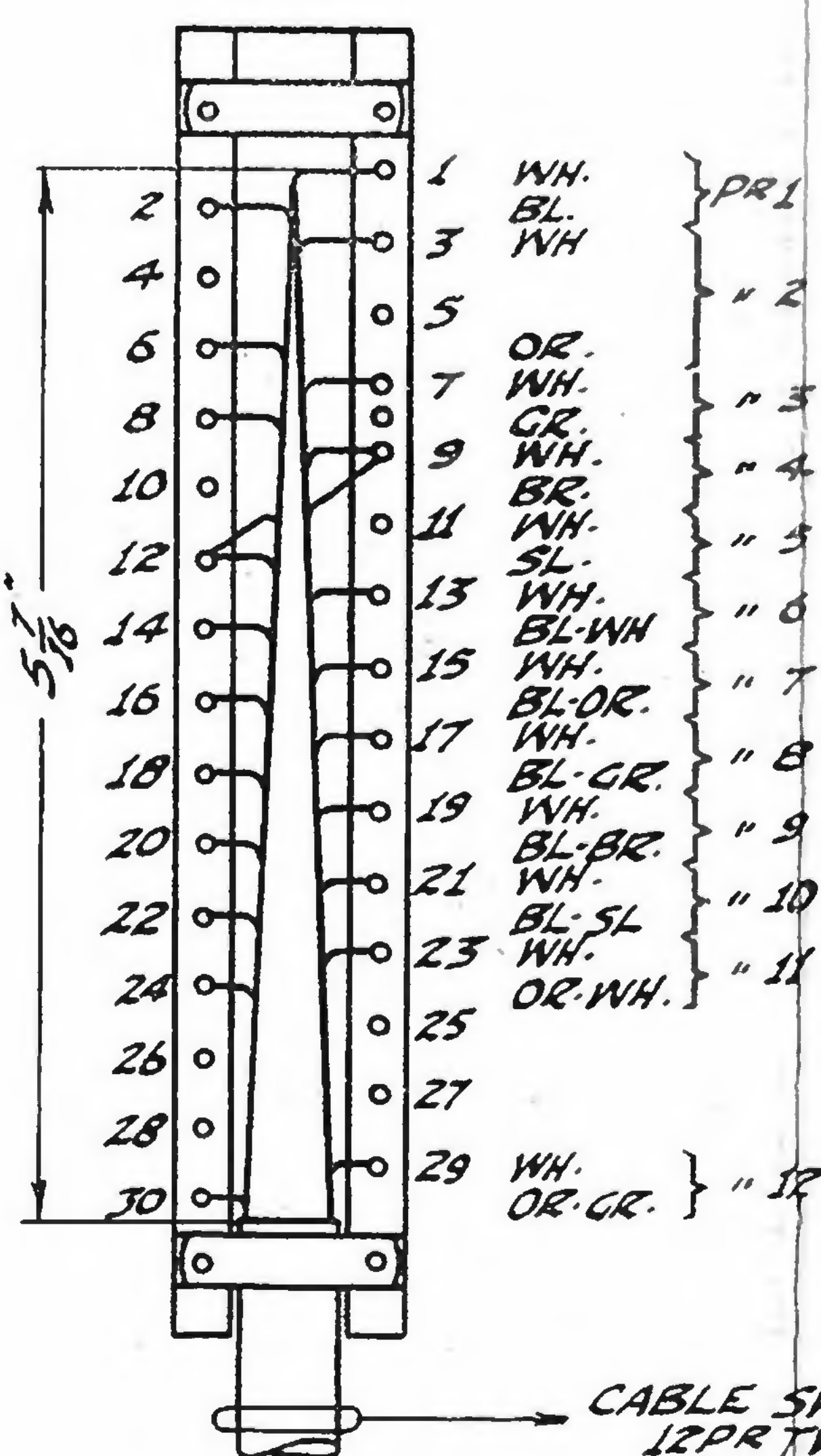
EXCHANGE EXTERNAL EXTENSION & 2ND CHOICE MAIN STRIP



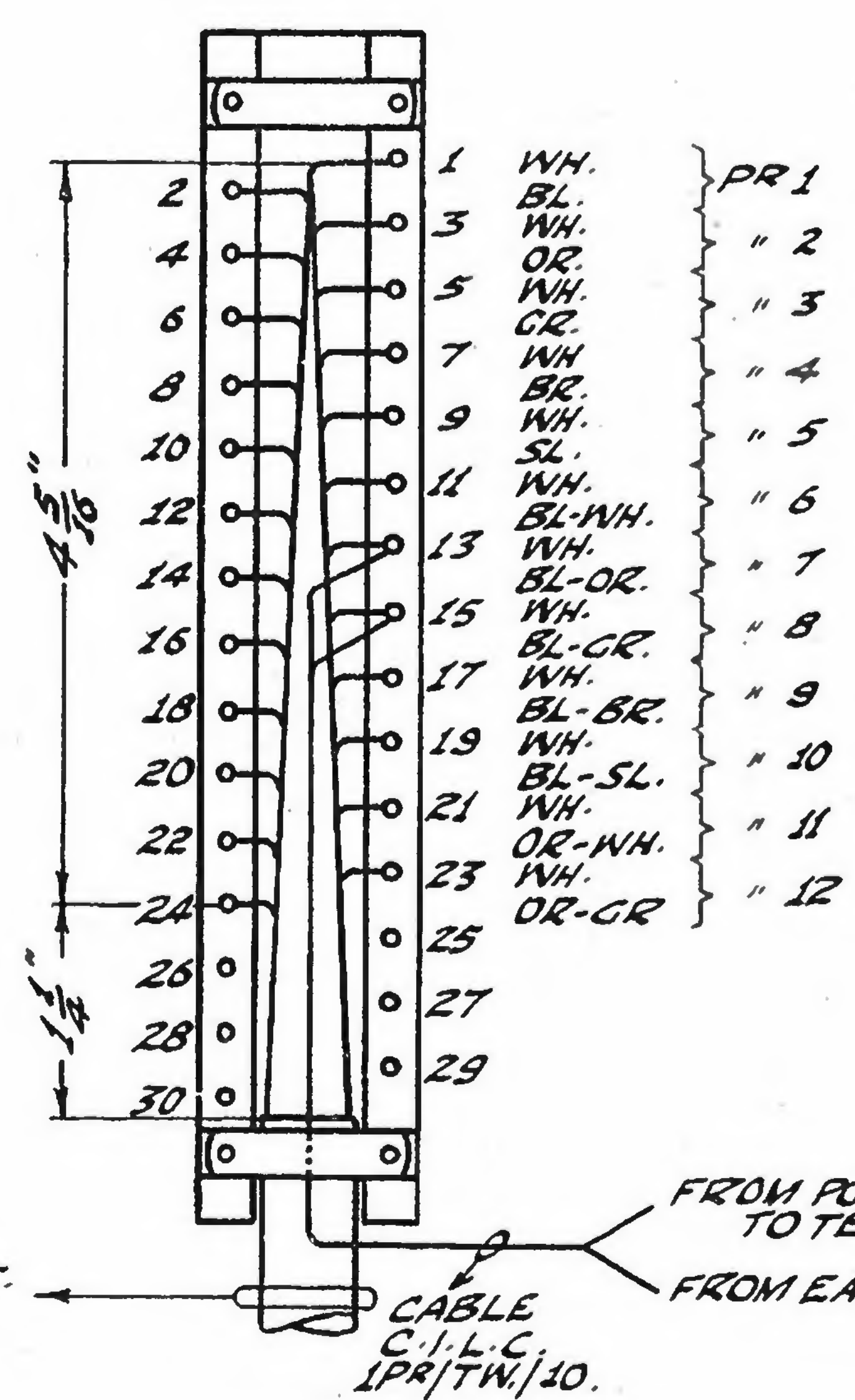
EXCHANGE UNIT STRIP



EXTERNAL EXTENSION UNIT STRIP



MAIN JUNCTION BOX STRIP



ISSUES		
No	DATE	AMENDMENTS
1	20.7.37	

COMMONWEALTH OF AUSTRALIA  
P.M.C.'S DEPARTMENT

**INTERCOM. TELEPHONE SYSTEMS**

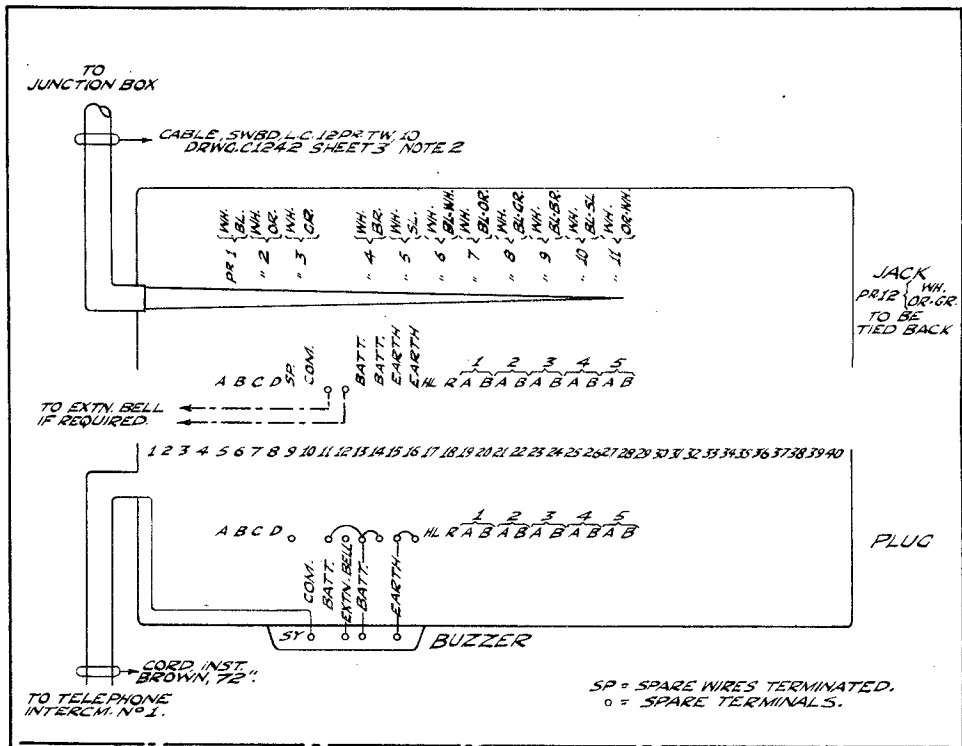
TYPICAL AUXILIARY JUNCTION BOX WIRING FOR INSTALLATIONS WITH 2 EXCHANGE LINES & UP TO 11 EXTENSIONS

DRAWING No **C. 1240**

SHEET 4 (4 SHEETS)

Drawn: A. J. H.  
Examined: D. A. G.  
Approved: [Signature]  
pr. Chief Engineer.  
Date: 20.7.37

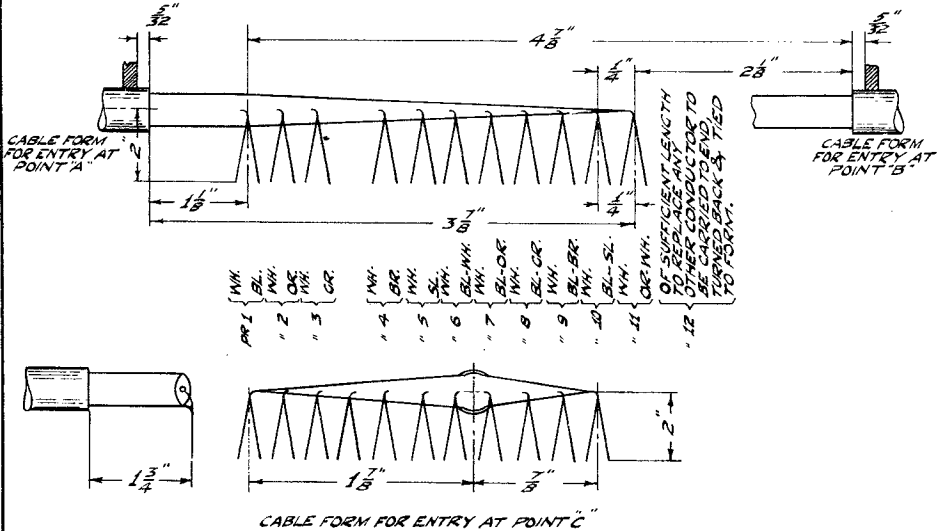




SP = SPARE WIRES TERMINATED.  
O = SPARE TERMINALS.

CABLE FORMS FOR JACK WIRING FOR TELEPHONE, INTCM. NO. 1.

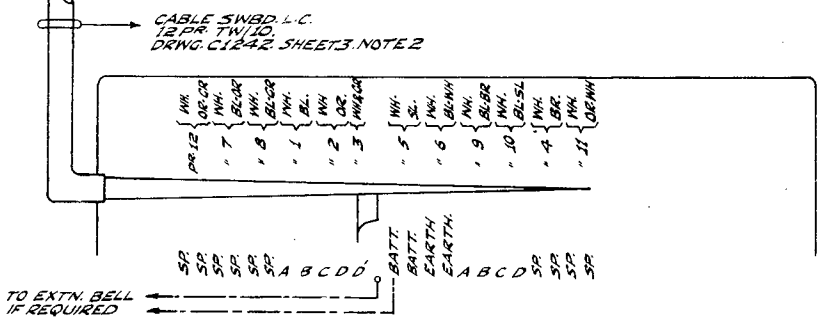
NOTE. WHEN THE CABLE ENTRY IS TO BE AT POINT 'B' OF THE JACK, REFER TO DIMENSIONS ABOVE THE CABLE FORM DIAGRAM BELOW.



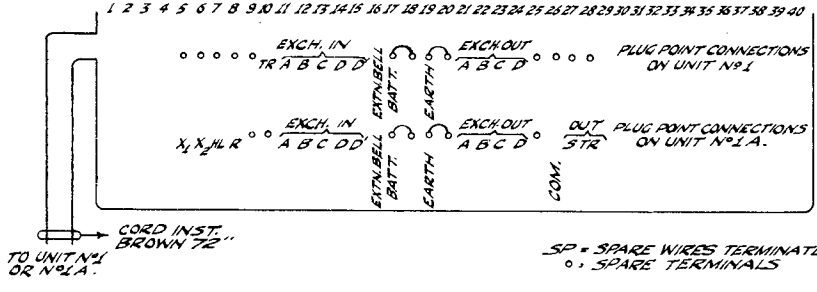
FOR POSITIONS OF ENTRY POINTS A, B, & C & POSITIONS IN WHICH THE JACK MAY BE PLACED SEE DRWG. C1242 SHEETS 3, NOTE 2.

ISSUES			COMMONWEALTH OF AUSTRALIA P.M.C.'S DEPARTMENT	
NO	DATE	APP	AMENDMENTS	
1	27.6.37	A.J.H.		
			<b>INTERCOM. TELEPHONE SYSTEMS</b> <b>PLUG &amp; JACK WIRING FOR TELEPHONE INTERCOM. NO. 1.</b>	
DRAWING NO		DRAWN: A.J.H.		Examined:
C 1241		Approved:		
SHEET 1 (3 SHEETS)		Date: 27.6.37		

TO JUNCTION BOX



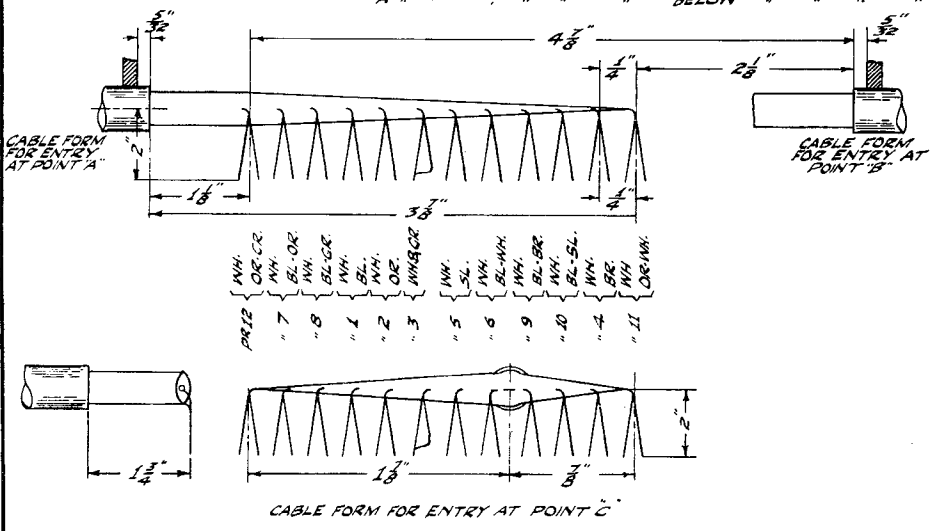
JACK



PLUG

CABLE FORMS FOR JACK WIRING FOR UNIT, TRANSFER, INTERCOM, N°1 OR N°1A USED AT 1ST CHOICE MAIN STATION

NOTE WHEN THE CABLE ENTRY IS TO BE AT POINT "B" OF THE JACK, REFER TO DIMENSIONS ABOVE THE CABLE FORM DIAGRAM BELOW

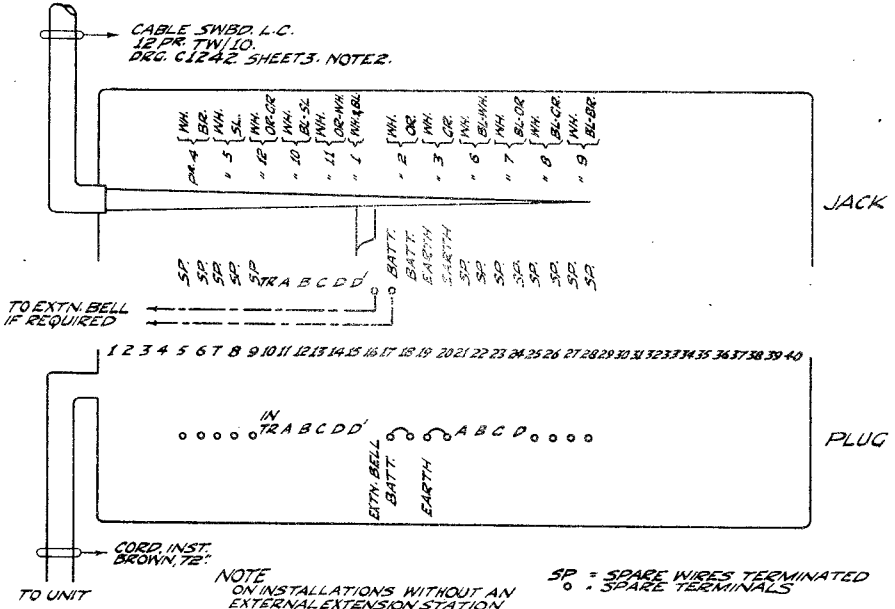


FOR POSITIONS OF ENTRY POINTS A, B & C & POSITIONS IN WHICH THE JACK MAY BE PLACED, SEE DRWG C1242 SHEET 3 NOTE 2.

ISSUES			COMMONWEALTH OF AUSTRALIA P.M.C.'S DEPARTMENT
NO	DATE	AMENDMENTS	
1	29.6.37		<b>INTERCOM. TELEPHONE SYSTEMS</b> PLUG & JACK WIRING FOR UNIT, TRANSFER N°1 OR N°1A USED AS A FIRST CHOICE MAIN STATION
			DRAWING N° C. 1241 SHEET 2 / 3 SHEETS
			DRAWN: A. H. Examined: A. G. Approved: [Signature] for Chief Engineer. Date: 29.6.37

TO JUNCTION BOX  
AT 1ST CHOICE  
MAIN STATION

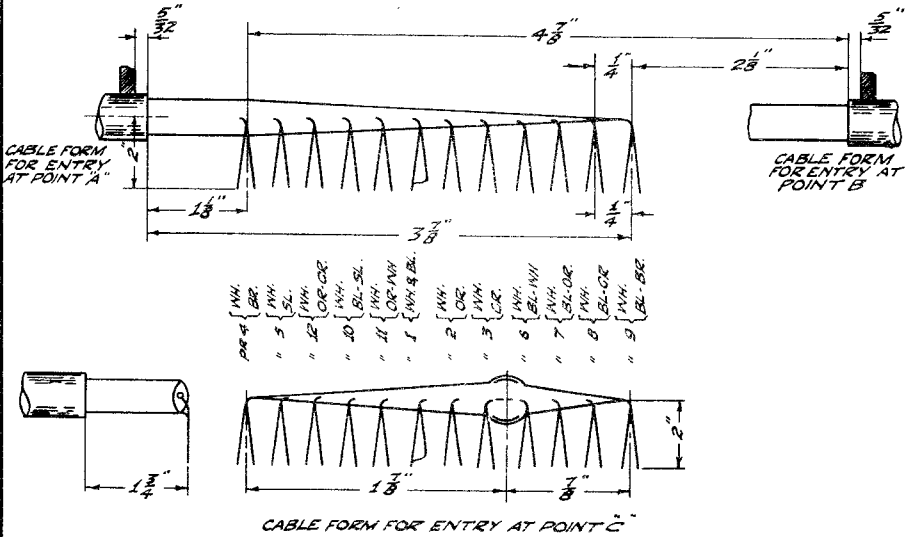
CABLE SWBD. L.C.  
12 PR. TW/10.  
DRG. C1242 SHEETS. NOTE 2.



NOTE  
ON INSTALLATIONS WITHOUT AN  
EXTERNAL EXTENSION STATION  
THE WIRE CONNECTED TO TERMINAL  
NO. 10 OF JACK WILL BE SPARE

SP = SPARE WIRES TERMINATED  
SP = SPARE TERMINALS

NOTE  
WHEN THE CABLE ENTRY IS TO BE AT POINT "B" OF THE JACK, REFER TO DIMENSIONS ABOVE CABLE FORM DIAGRAM  
BELOW

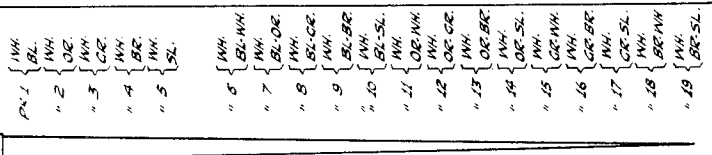


FOR POSITION OF ENTRY POINTS A, B, & C, & POSITIONS IN WHICH THE  
JACK MAY BE PLACED SEE DRING. C 1242 SHEET 3. NOTE 2.

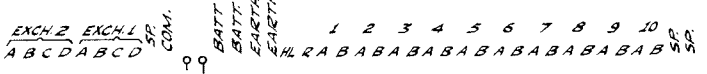
ISSUES			COMMONWEALTH OF AUSTRALIA P.M.C.'S DEPARTMENT	
NO	DATE	APP.	AMENDMENTS	
1.	24.6.37	DRS		
			<b>INTERCOM. TELEPHONE SYSTEMS</b> PLUG & JACK WIRING FOR UNIT, TRANSFER NO. 1 USED AS A SECOND CHOICE MAIN STATION	
			DRAWING NO <b>C. 1241</b> SHEETS (3 SHEETS)	Drawn: A. J. H. Examined: [Signature] Approved: [Signature] Chief Engineer Date: 24.6.37

TO JUNC. BOX

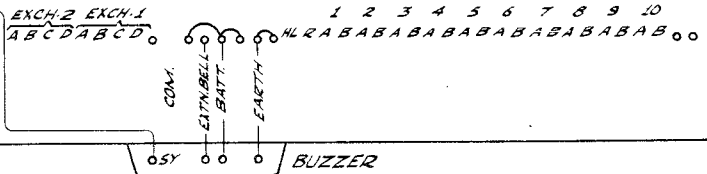
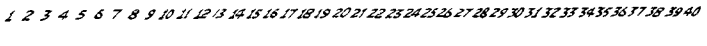
CABLE SINBD L.C. 20PRTW. 10.  
SEE DRWG. C1242 SHEET 3, NOTE 2.



JACK  
PR20 { WH, SL-WH.  
TO BE  
TIED BACK



TO EXTN. BELL  
IF REQUIRED.



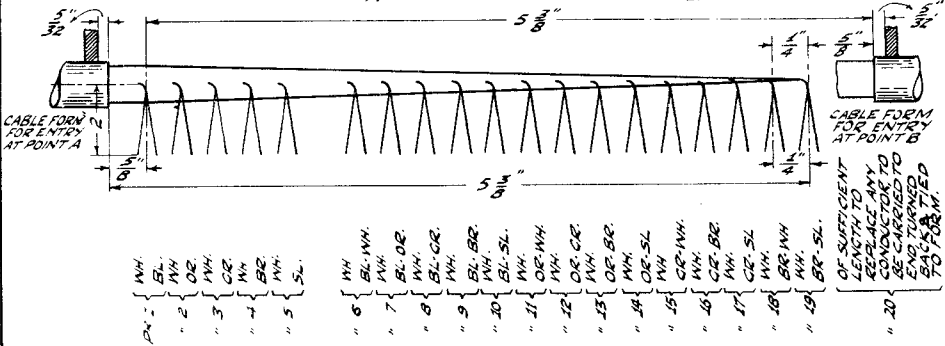
CORD. INST.  
"BROWN 72"

SP = SPARE WIRES TERMINATED  
O = SPARE TERMINALS.

TO TELE.  
INTCM. No 2

CABLE FORMS FOR JACK WIRING FOR TELE. INTCM., No 2.

NOTE.  
WHEN THE CABLE ENTRY IS TO BE AT POINT B OF THE JACK REFER TO DIMENSIONS ABOVE CABLE FORM DIAGRAM BELOW



OF SUFFICIENT  
LENGTH TO  
REPLACE ANY  
CONDUCTOR TO  
BE CARRIED TO  
END, TURNED  
90° FOR USE  
AS PLUG.

- 1 WH, BL
- 2 WH, OE
- 3 WH, CE
- 4 WH, BR
- 5 WH, SL
- 6 WH, BL-WH
- 7 WH, BL-OE
- 8 WH, BL-CE
- 9 WH, BL-BR
- 10 WH, BL-SL
- 11 WH, OE-WH
- 12 WH, OE-CE
- 13 WH, OE-BR
- 14 WH, OE-SL
- 15 WH, CE-WH
- 16 WH, CE-BR
- 17 WH, CE-SL
- 18 WH, BR-WH
- 19 WH, BR-SL
- 20

CABLE FORM FOR ENTRY AT POINT C

FOR POSITION OF ENTRY POINTS A, B & C, & POSITIONS IN WHICH  
THE JACK MAY BE PLACED SEE SHEET 3, NOTE 2.

ISSUES		
NO	DATE	APP
1	...	...

COMMONWEALTH OF AUSTRALIA  
P.M.G.'S DEPARTMENT.

**INTERCOM. TELEPHONE  
SYSTEMS**

PLUG & JACK WIRING  
TELEPHONE INTERCOM., No 2.

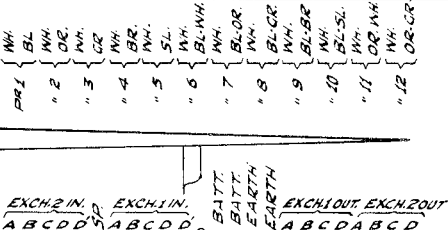
DRAWING No  
**C1242**

SHEET 1 (4 SHEETS)

Drawn, A.J.H.  
Examined, D.G.  
Approved, [Signature]  
for Chief Engineer.  
Date, 20.7.37

TO JUNG. BOX

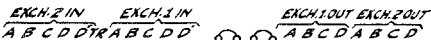
CABLE SWBD. L.C. 12PRTN/10. SEE SHEET 3 NOTE 2.



JACK

TO EXTN. BELL IF REQUIRED.

1 2 3 4 5 6 7 8 9 10 11 12 13 14 15 16 17 18 19 20 21 22 23 24 25 26 27 28 29 30 31 32 33 34 35 36 37 38 39 40



PLUG

CORD. INST. "BROWN 72"

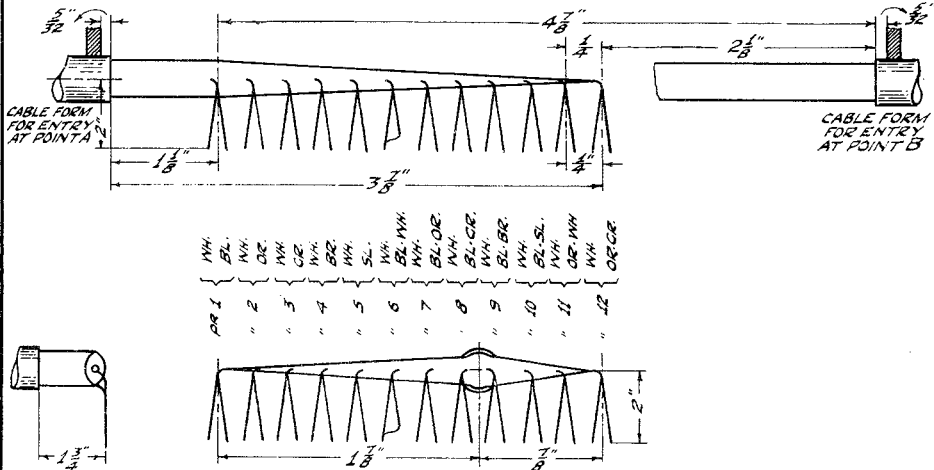
TO UNIT

SP = SPARE WIRES TERMINATED.  
O = SPARE TERMINALS.

CABLE FORMS FOR JACK WIRING FOR UNIT, TRANSFER, INTERCOM., NO 2 USED AT 1ST CHOICE MAIN STATION

NOTE.

WHEN THE CABLE ENTRY IS TO BE AT POINT B OF THE JACK, REFER TO DIMENSIONS ABOVE THE CABLE FORM DIAGRAM. BELOW



CABLE FORM FOR ENTRY AT POINT C

FOR POSITION OF ENTRY POINTS A, B & C, & POSITIONS IN WHICH THE JACK MAY BE PLACED SEE SHEET 3 NOTE 2.

ISSUES

NO	DATE	APP
1	20.7.37	[Signature]

AMENDMENTS

COMMONWEALTH OF AUSTRALIA  
P.M.C.'S DEPARTMENT

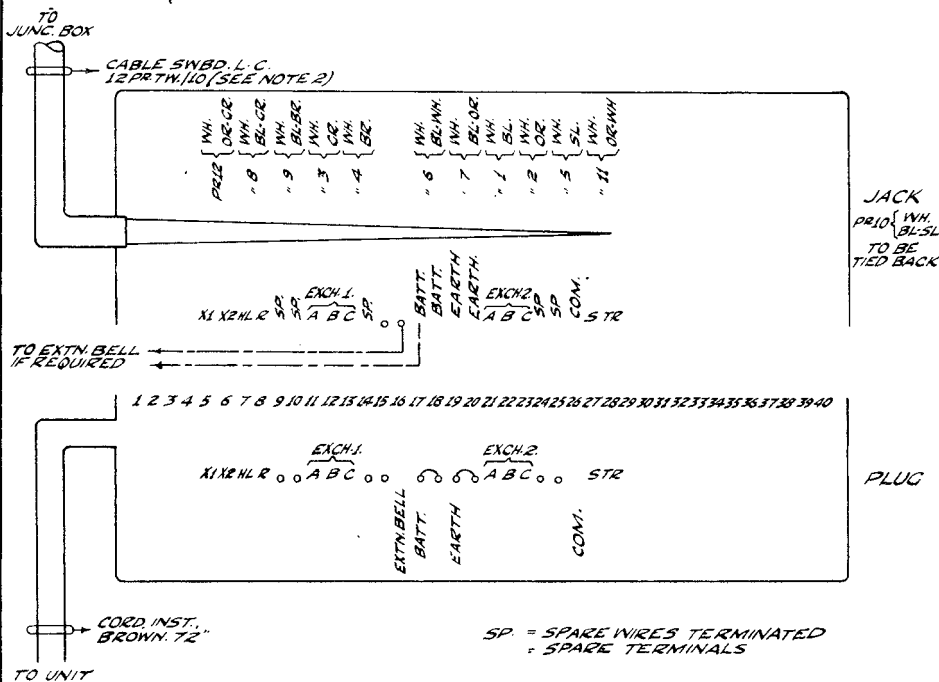
**INTERCOM. TELEPHONE SYSTEMS**  
PLUG & JACK WIRING  
UNIT, TRANSFER NO 2  
USED AS 1ST CHOICE MAIN STATION

DRAWING NO

**C 1242**

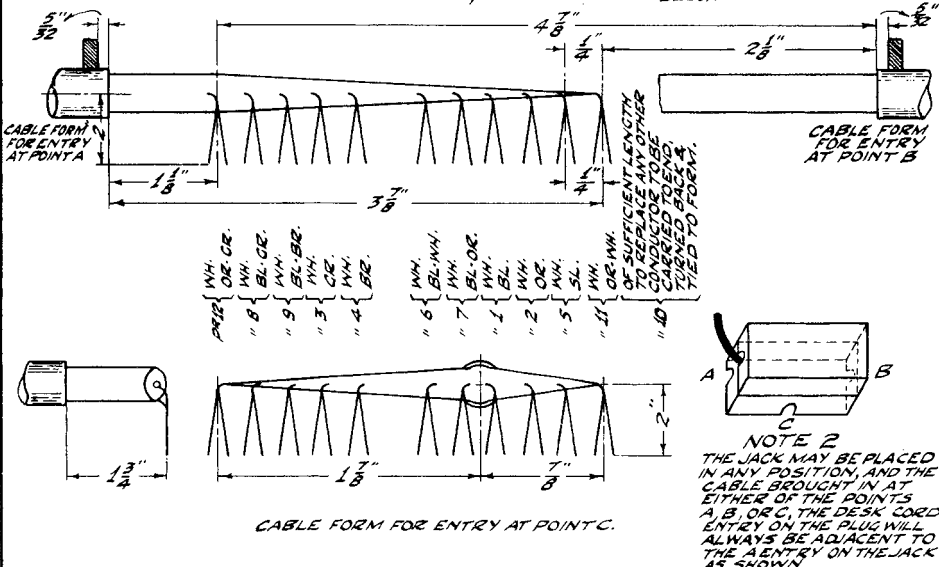
SHEET 21 OF SHEETS

Drawn: A.J.H.  
Examined: [Signature]  
Approved: [Signature]  
Chief Engineer  
Date: 20.7.37



CABLE FORMS FOR JACK WIRING FOR UNIT, TRANSFER, INTERCOM., NO. 3.

NOTE 1  
WHEN THE CABLE ENTRY IS TO BE AT POINT B OF THE JACK, REFER TO DIMENSIONS ABOVE THE CABLE FORM DIAGRAM. BELOW



ISSUES AMENDMENTS		
NO	DATE	APP
1	20-7-37	[Signature]

COMMONWEALTH OF AUSTRALIA  
P.M.C.'S DEPARTMENT

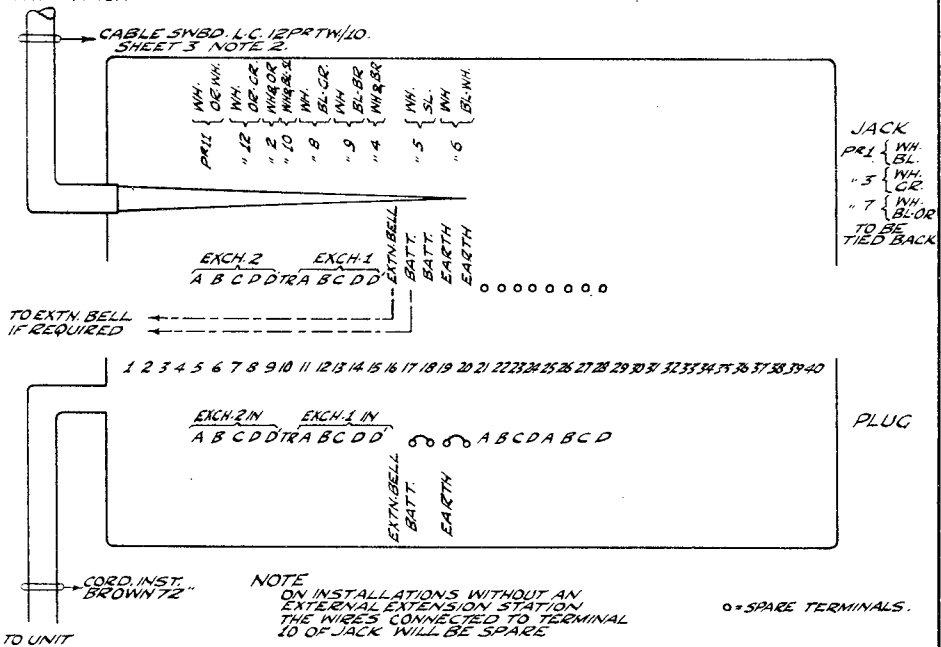
**INTERCOM. TELEPHONE SYSTEMS**

PLUG & JACK WIRING  
UNIT, TRANSFER, INTERCOM., NO. 3.

DRAWING NO. C 1242  
SHEET 3 (SHEET 4)

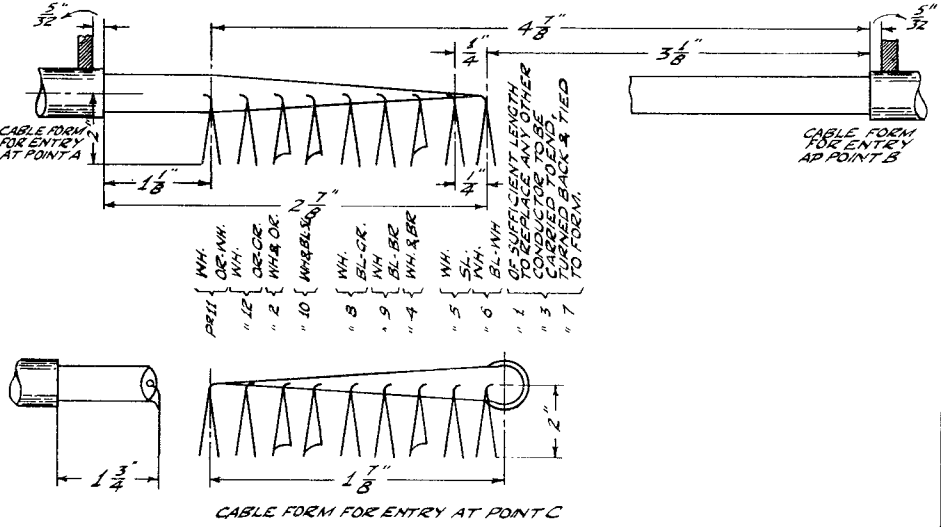
Drawn: A. J. H.  
Examined: [Signature]  
Approved: [Signature]  
for Chief Engineer  
Date 20-7-37

TO AUX. JUNG. BOX  
STEID. NO. 1 AT 1ST CHOICE  
MAIN STATION.



**CABLE FORMS FOR JACK WIRING FOR UNIT TRANSFER, INTCM, NO 2  
(WITH OR WITHOUT ADDITIONAL INDICATOR) USED AT 2<sup>ND</sup> CHOICE MAIN STATIONS.**

NOTE  
WHEN THE CABLE ENTRY IS TO BE AT POINT B OF THE JACK, REFER TO DIMENSIONS ABOVE CABLE FORM DIAGRAM BELOW



FOR POSITIONS OF ENTRY POINTS A, B, & C, & POSITIONS IN WHICH THE JACK MAY BE PLACED SEE SHEET 3 NOTE 2.

ISSUES		
NO	DATE	APP
1	6.11.37	20/7/37
AMENDMENTS		

COMMONWEALTH OF AUSTRALIA  
P.M.C.'S DEPARTMENT

**INTERCOM. TELEPHONE SYSTEMS**

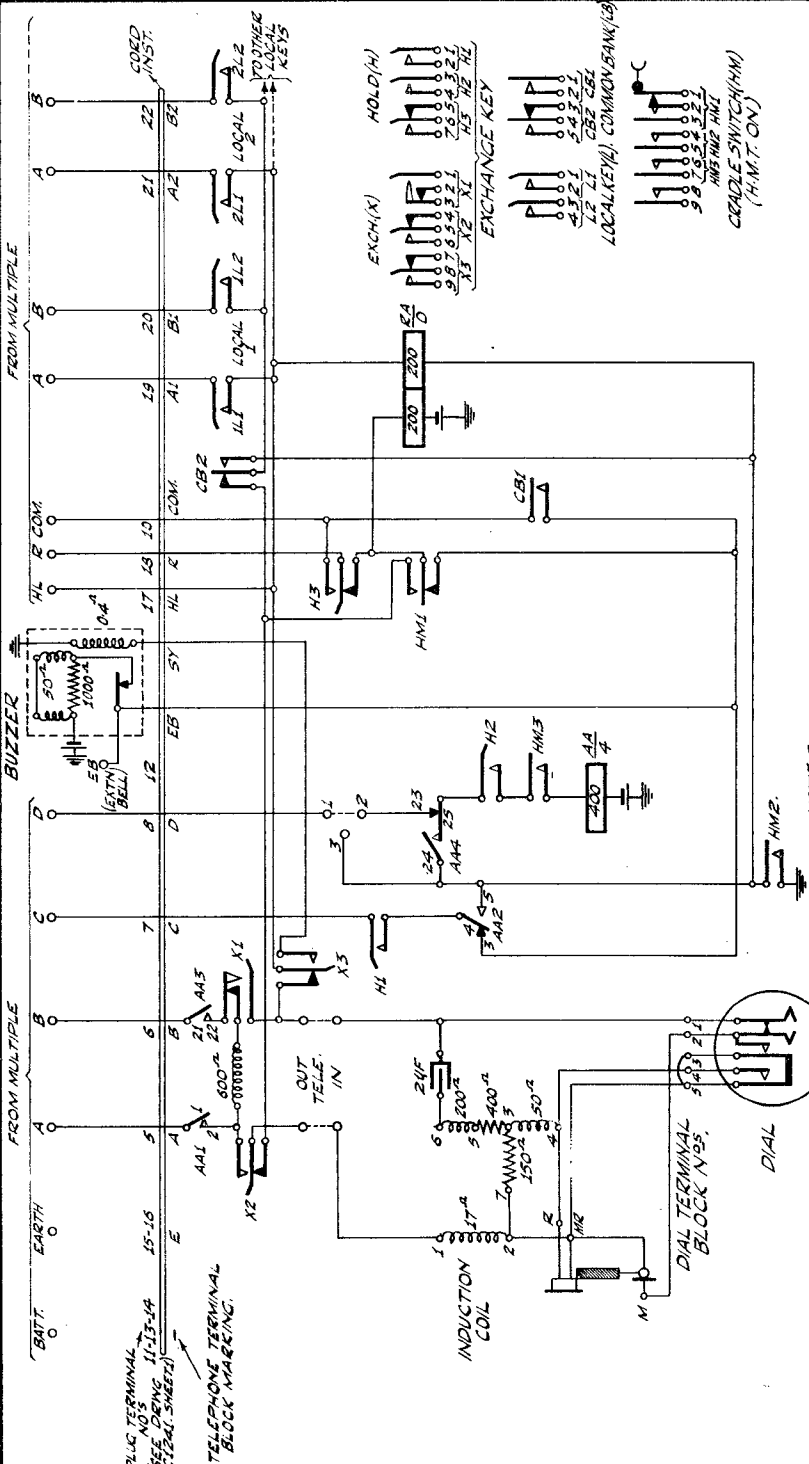
**PLUG & JACK WIRING UNIT, TRANSFER, NO 2**  
USED AS 2<sup>ND</sup> CHOICE MAIN STATION

DRAWING NO  
**C 1242**

SHEET 4 (4 SHEETS)

Drawn: A.J.H.  
Examined: J.G.  
Approved: [Signature]  
S. Chief Engineer  
Date: 20.7.37





NOTES

1. COMMON BANK IS OPERATED IN RINGING POSITION OF LOCAL KEY.
2. WHEN EXCHANGE LINE SUPERVISION IS REQUIRED REMOVE STRAP 1E & CONNECT STRAP 2-3.
3. THE INST. TERMINAL AS SUPPLIED IS TIED WITH A DIAL. IF THE DIAL IS TERMINAL BLOCK NO. 25, THE TERMINALS 1 & 2 ON THE DIAL TERMINAL BLOCK ARE STRAPPED.

ISSUES AMENDMENTS		
NO	DATE	APP
1	20-7-37	[Signature]

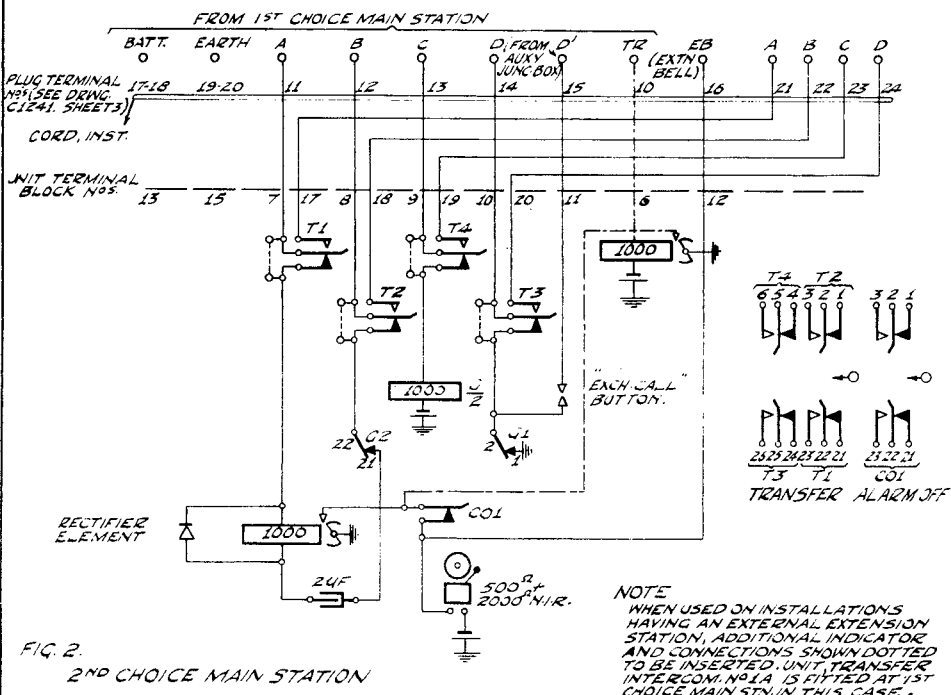
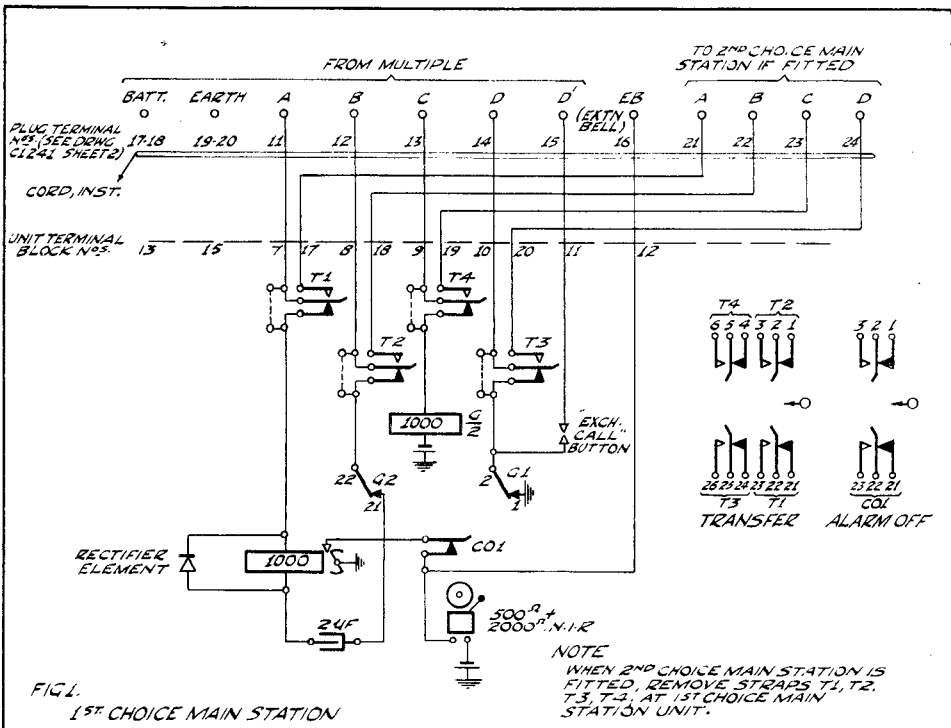
COMMONWEALTH OF AUSTRALIA  
P.M.C.'S DEPARTMENT

## INTERCOM. TELEPHONE SYSTEMS

TELEPHONE INTERCOM. No. 1  
SCHEMATIC CIRCUIT

DRAWING No. **C 1243**  
SHEET 1 (3 SHEETS)

Drawn A.J.H.  
Examined [Signature]  
Approved [Signature]  
per Chief Engineer  
Date 20-7-37



ISSUES  
AMENDMENTS

NO	DATE	APP
1	20-7-27	JH

COMMONWEALTH OF AUSTRALIA  
P.M.C.'S DEPARTMENT

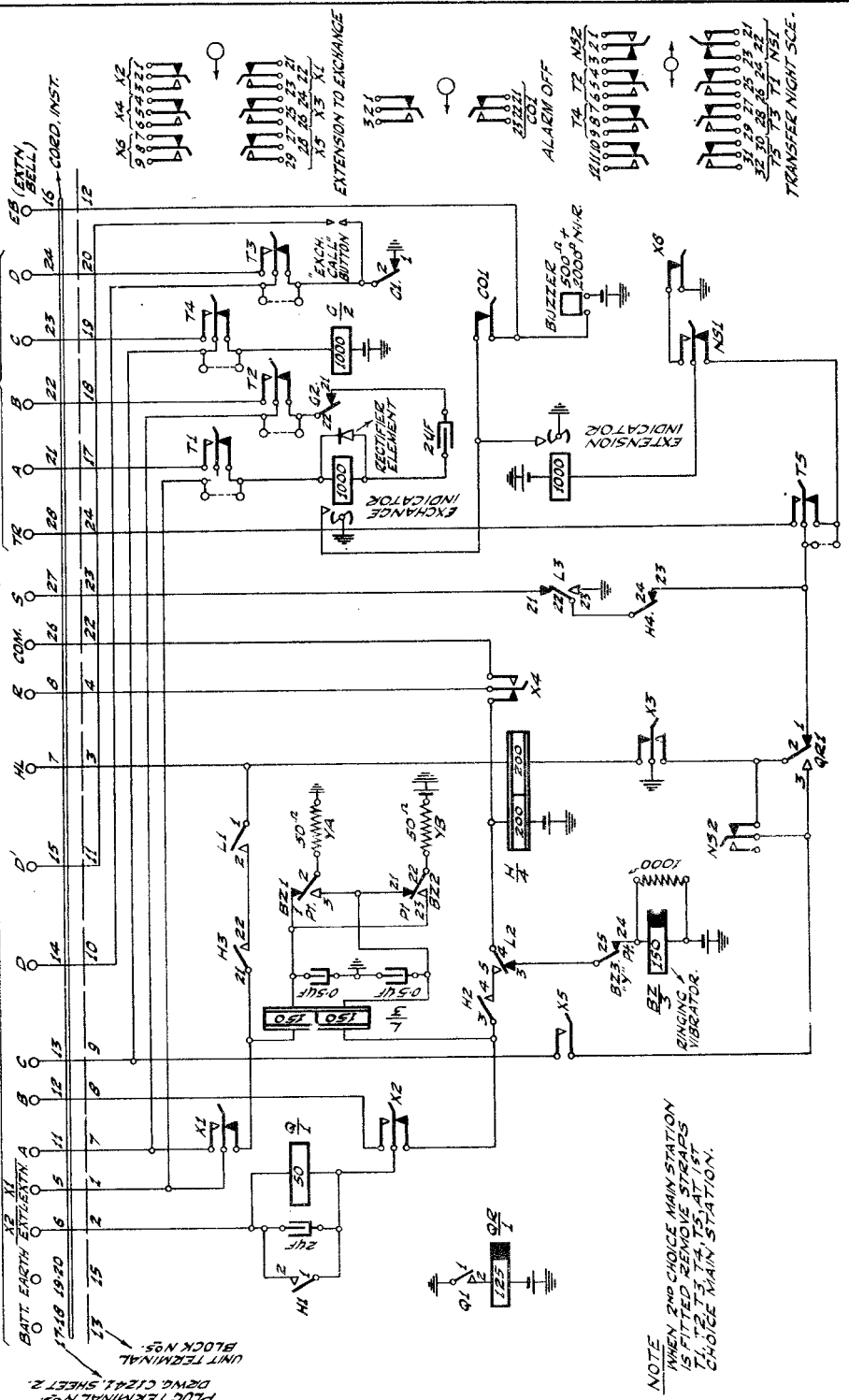
INTERCOM. TELEPHONE  
SYSTEMS  
UNIT, TRANSFER NO. 1  
SCHEMATIC CIRCUIT

DRAWING NO  
C. 1243  
SHEET 2 (3 SHEETS)

Drawn: A. J. H.  
Examined: J. C.  
Approved by: Chief Engineer  
Date: 20-7-27

TO 2<sup>ND</sup> CHOICE MAIN STATION UNIT IF FITTED

FROM MULTIPLE



PLUG TERMINAL NOS.  
DRAWING C1243, SHEET 2  
UNIT TERMINAL NOS.  
BLOCK NOS.

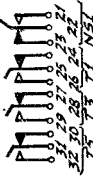
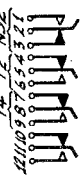
NOTE  
WHEN 2<sup>ND</sup> CHOICE MAIN STATION  
IS FITTED REMOVE STRAPS  
T1, T2, T3, T4, T5, AT 1<sup>ST</sup>  
CHOICE MAIN STATION.



EXTENSION TO EXCHANGE



ALARM OFF  
COL



TRANSFER NIGHT SCE.

ISSUES			AMENDMENTS
N <sup>o</sup>	DATE	APP.	
1	20.7.37	A.J.H.	

COMMONWEALTH OF AUSTRALIA  
P.M.C.'S DEPARTMENT

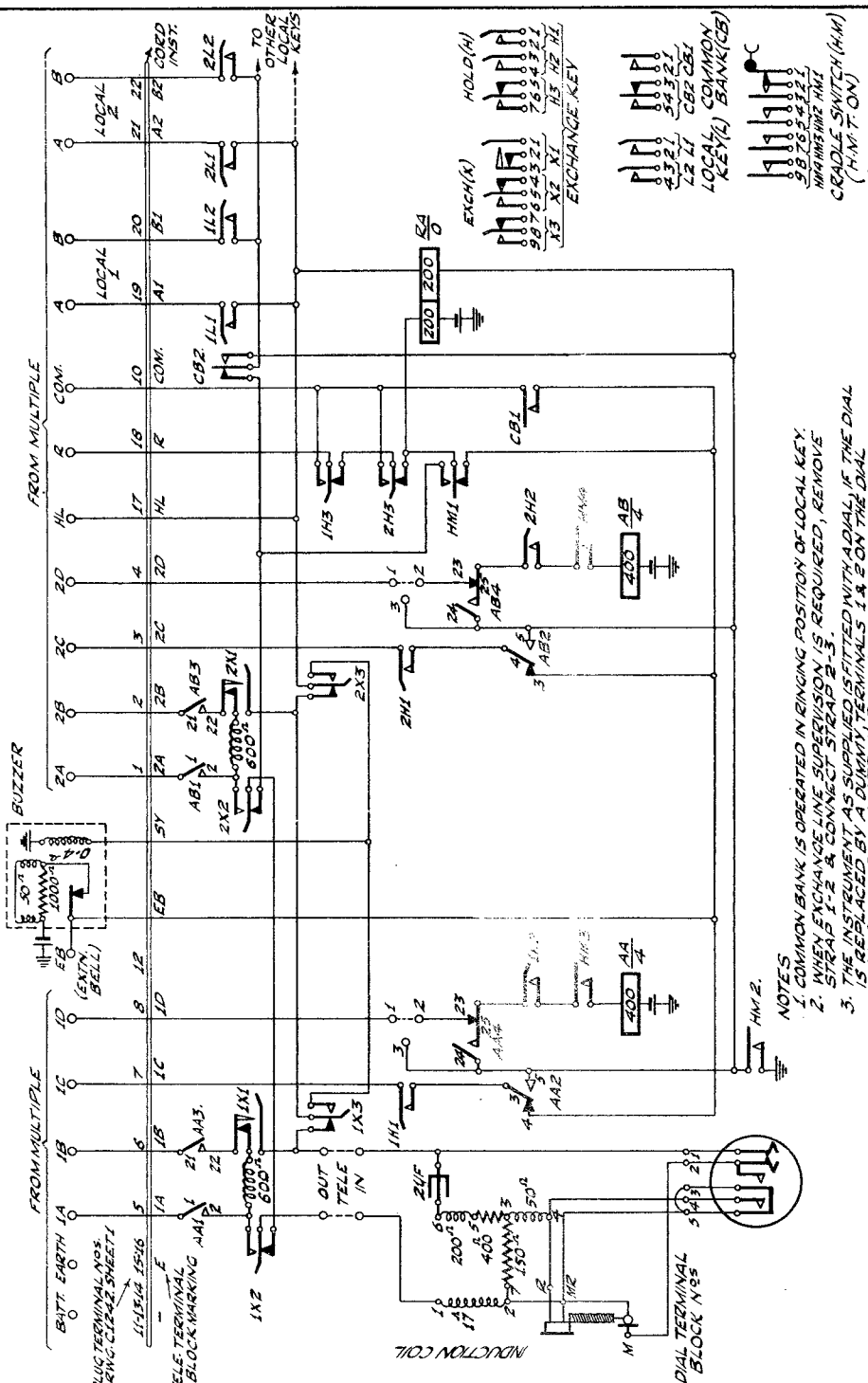
## INTERCOM. TELEPHONE SYSTEMS

### UNIT, TRANSFER N<sup>o</sup> 1A SCHEMATIC CIRCUIT

---

DRAWING N<sup>o</sup> C 1243  
SHEET 3 (3 SHEETS)

Drawn, A.J.H.  
Examined, A.G.  
Approved, J.P.  
or Chief Engineer  
Date, 20.7.37



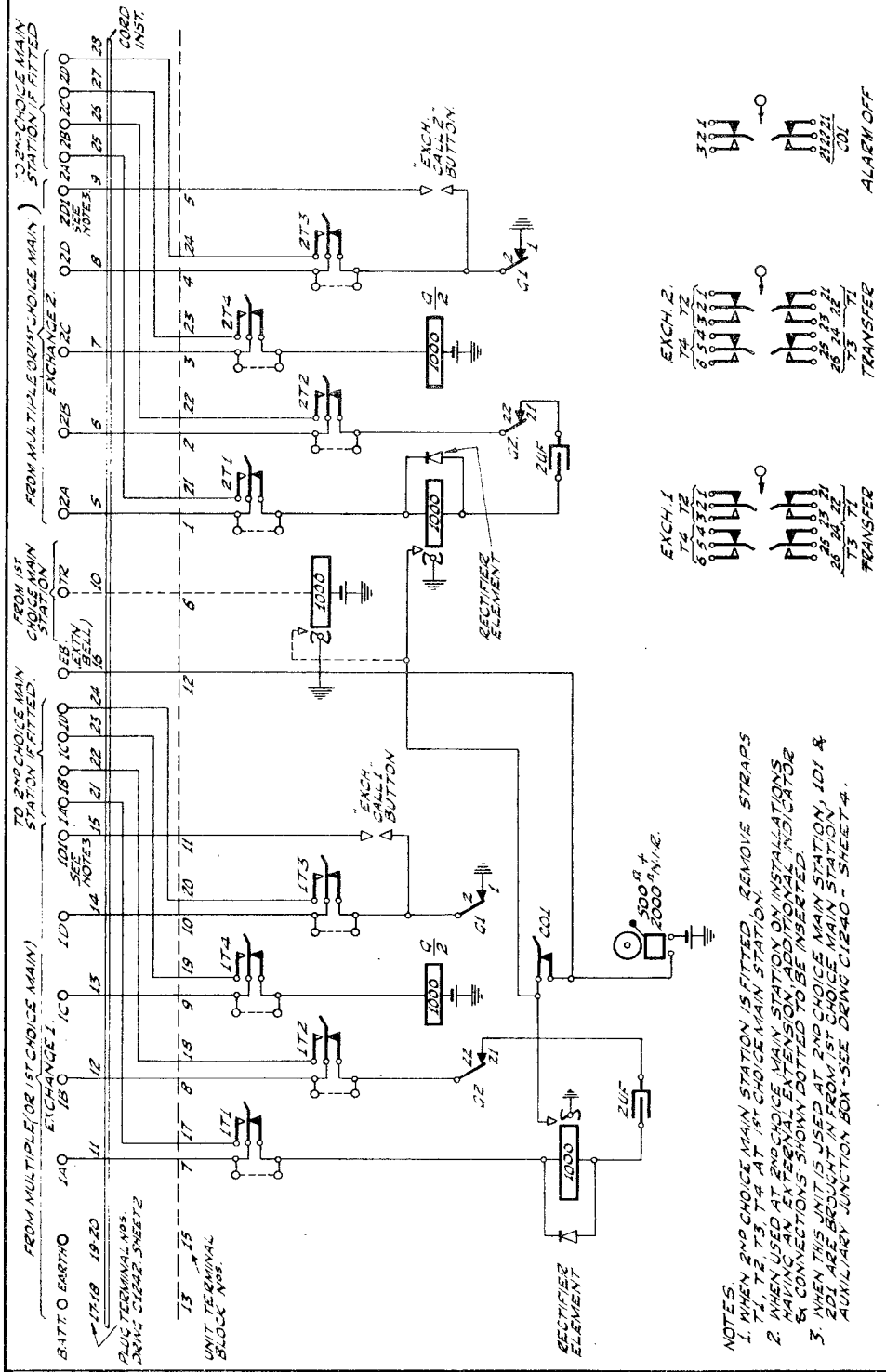
- NOTES
1. COMMON BANK IS OPERATED IN RINGING POSITION OF LOCAL KEY.
  2. WHEN EXCHANGE LINE SUPERVISION IS REQUIRED, REMOVE STEPS 1, 2 & CONNECT STEPS 3, 4 & 5.
  3. THE INTERCOM IS SUPPLIED FITTED WITH A DIAL. IF THE DIAL IS REQUIRED BY A SUBMITTER, TERMINALS 1 & 2 ON THE DIAL TERMINAL BLOCK ARE STRIPPED.

ISSUES AMENDMENTS		
NO	DATE	APP
1	20.7.27	DA

COMMONWEALTH OF AUSTRALIA  
P.M.G.'S DEPARTMENT

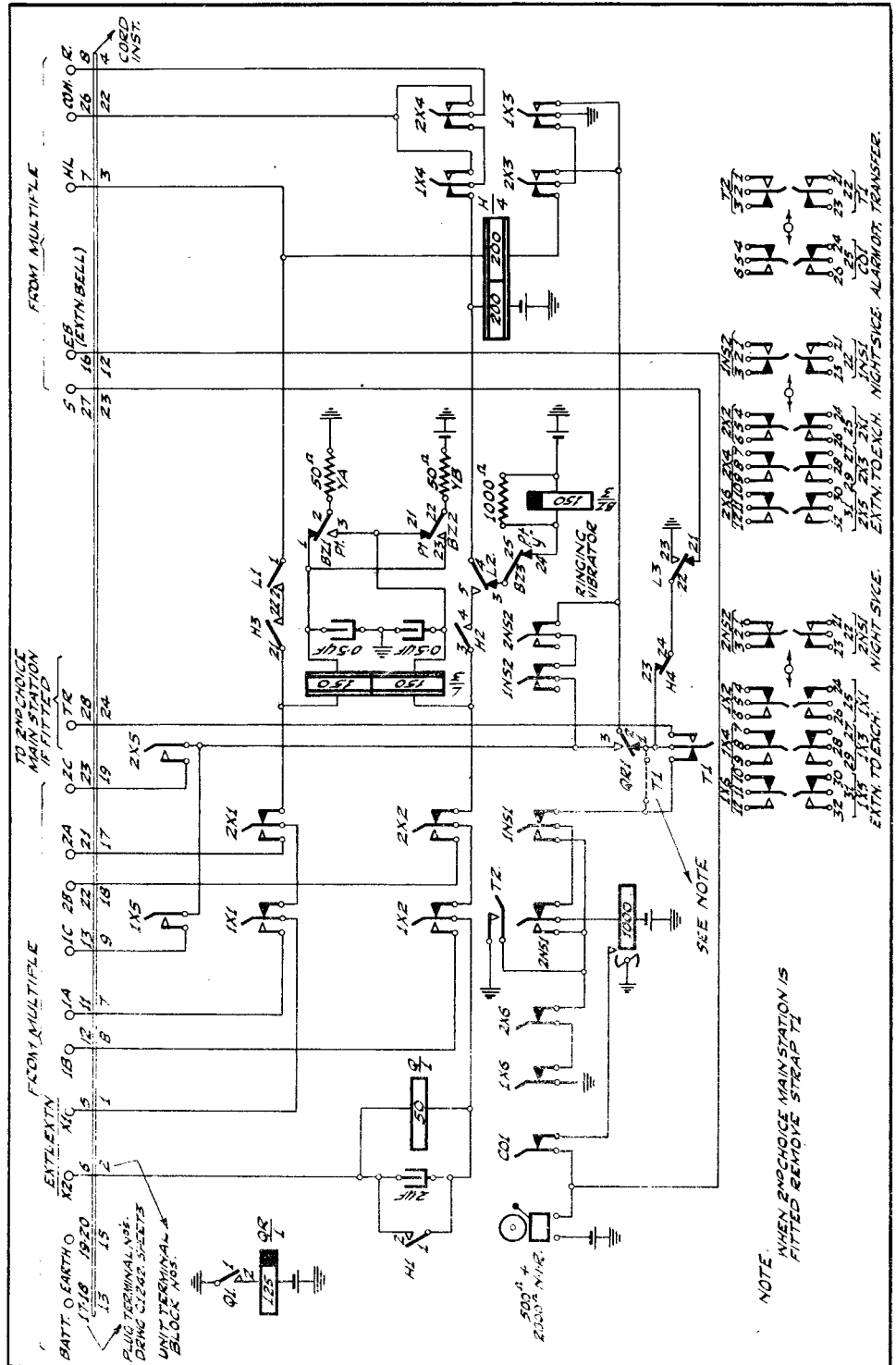
**INTERCOM TELEPHONE SYSTEMS**  
TELEPHONE, INTERCOM., NO 2  
SCHEMATIC CIRCUIT

DRAWING No <b>C 1244</b> SHEET 1 (3 SHEETS)	Drawn: A. J. H. Examined: D. G. Approved: [Signature] or Chief Engineer Date: 20.7.27
---	---



NOTES:  
 1. WHEN 2ND CHOICE MAIN STATION IS FITTED, REMOVE STRAPS T1, T2, T3, T4 AT 1ST CHOICE MAIN STATION.  
 2. WHEN USED AT 2ND CHOICE MAIN STATION ON INSTALLATIONS HAVING AN EXTERNAL EXTENSION, ADDITIONAL INDICATOR & CONNECTIONS SHOWN DOTTED TO BE INSERTED.  
 3. WHEN THIS UNIT IS USED AT 2ND CHOICE MAIN STATION, 1D1 & 2D1 ARE BROUGHT IN FROM 1ST CHOICE MAIN STATION, AUXILIARY JUNCTION BOX-SEE DRAWING C1240 - SHEET 4.

ISSUES		COMMONWEALTH OF AUSTRALIA	
AMENDMENTS		P.M.C.'S DEPARTMENT	
1. DATE 1/10/37 2. BY 3. BY		<b>INTERCOM. TELEPHONE SYSTEMS</b> <b>UNIT TRANSFER NO 2</b> <b>SCHEMATIC CIRCUIT</b>	
DRAWING No		Drawn A.J.H.	
C1244		Examined G.	
SHEET 2, 3 SHEETS		Approved for Chief Engineer	
		Date: 29.7.37	



ISSUES		
NO	DATE	APPROVED
1	22-7-37	[Signature]

COMMONWEALTH OF AUSTRALIA  
P.M.C.'S DEPARTMENT

**INTERCOM. TELEPHONE SYSTEMS**  
**UNIT TRANSFER NO. 3**  
**SCHEMATIC CIRCUIT**

DRAWING NO. **C 1244**  
SHEETS (3 SHEETS)

Drawn A.J.H.  
Examined A.G.  
Approved [Signature]  
Chief Engineer  
Date 20.7.37